

## IAM-L56, L57, L58, L59

2023/03/22

## Features



1. Capable of high speed data transmission such as USB2.0, LVDS, and Ethernet, etc.
2. Selectable variations of mounting requirements. (Straight type / Angle type.)
3. Each coding (mating key) is available.
4. Compliant with RoHS Directive.

## Specifications

### Electric Characteristics

< IAM-L56/L58 (Straight type) >

Rated Voltage : 100V DC

Rated Current : 1.5A DC

Characteristic Impedance : 100Ω

Insertion Loss :  $\leq 0.1$ dB to 1GHz

Return Loss :

$\leq -20$ dB to 1GHz

$\leq -17$ dB to 2GHz

< IAM-L57/L59 (Angle type) >

## IAM-L56, L57, L58, L59

2023/03/22

Rated Voltage : 100V DC

Rated Current : 1.5A DC

Characteristic Impedance : 100Ω

Insertion Loss :  $\leq 0.01$ dB to 500MHz

Return Loss :

 $\leq -25$ dB to 100MHz $\leq -15$ dB to 500MHz $\leq -10$ dB to 1GHz

## Mechanical Characteristics

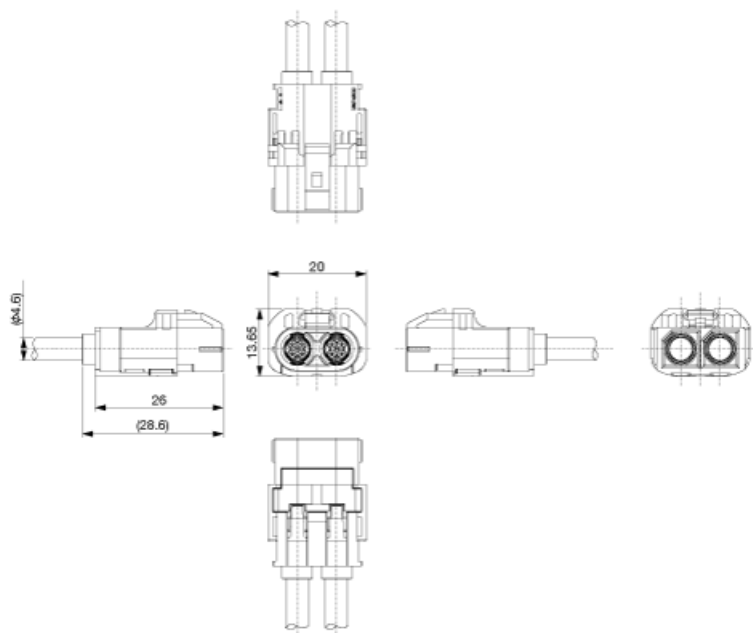
Life (Mating Cycle) : 25 times

Total Insertion Force :  $\leq 30$ N

Total Withdrawal Force : 5N to 25N

## Overall View

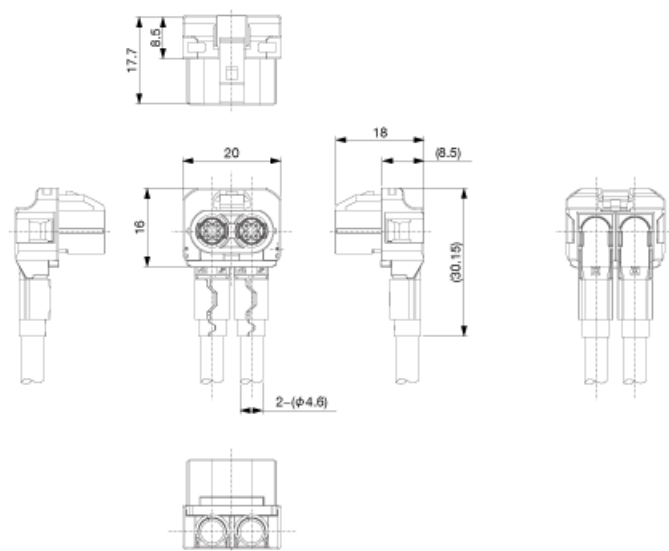
### IAM-L56



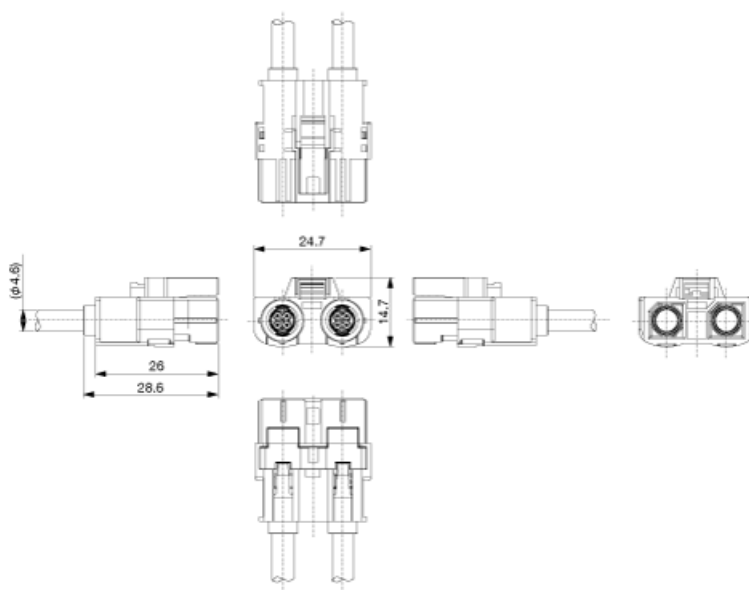
## IAM-L56, L57, L58, L59

2023/03/22

## IAM-L57



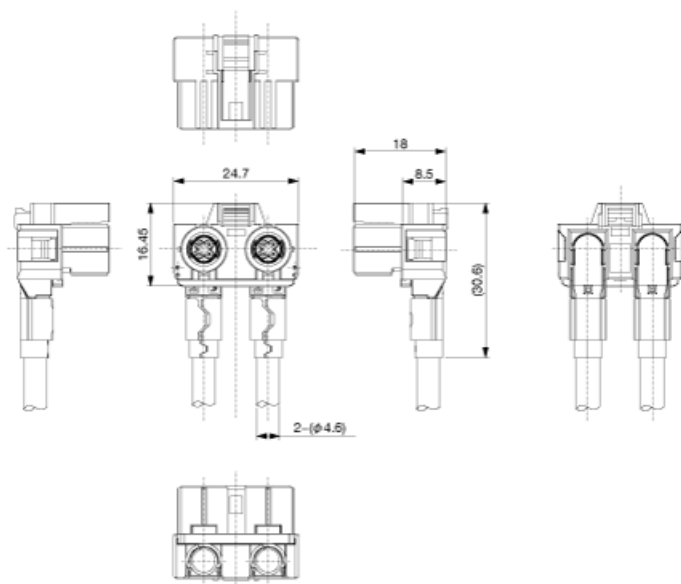
## IAM-L58



## IAM-L59

## IAM-L56, L57, L58, L59

2023/03/22



Unit:mm

**NOTE**

\*Any products mentioned in this catalog are subject to any modification in their appearance and others for improvements without prior notification.

\*The details listed here are not a guarantee of the individual products at the time of ordering. When using the products, you will be asked to check their specifications.