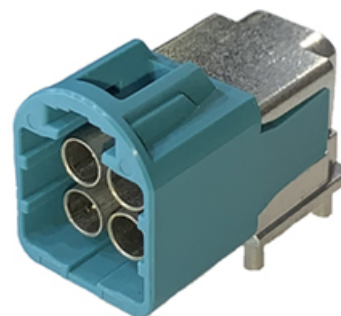


CDM-L92Q

2023/03/22

Features



1. Quad, Angle type.
2. Suitable for automotive antennas, cameras, and V2X data transmission.
3. USCAR49 standard.
4. Capable to load 9 GHz of data transmission.
5. With lock function and prevent wrong mating.
6. RoHS compliant.

Specifications

Electric Characteristics

Rated voltage: 60V DC Max

Rated current: 1A DC Max

Impedance: 50Ω

Contact resistance: 24mΩ max (contact pin)/ 10mΩ MA

Insulation resistance: 100MΩ Min

Dielectric withstanding voltage: 500V AC

Mechanical Characteristics

Durability(mating / unmating): 25 times

Insertion force: 45N Max

CDM-L92Q

2023/03/22

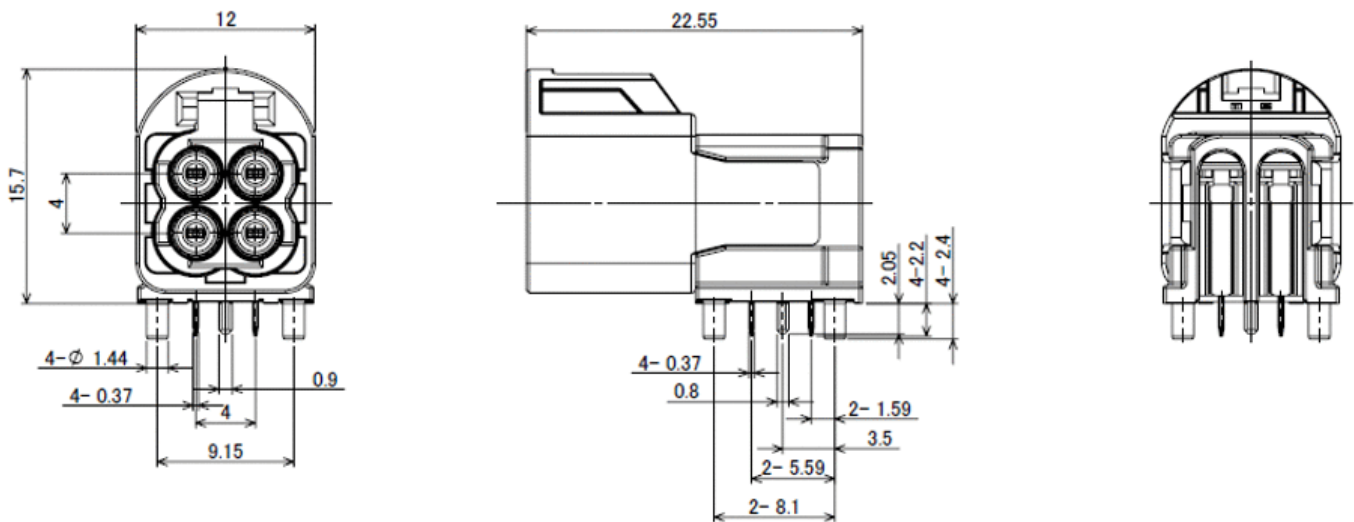
Withdrawal force: 75N Max

Retention force latch: 110N Min

Environmental Characteristics

Operating temperature range: -30°C~85°C

Overall View



Unit:mm

NOTE

*Any products mentioned in this catalog are subject to any modification in their appearance and others for improvements without prior notification.

*The details listed here are not a guarantee of the individual products at the time of ordering. When using the products, you will be asked to check their specifications.