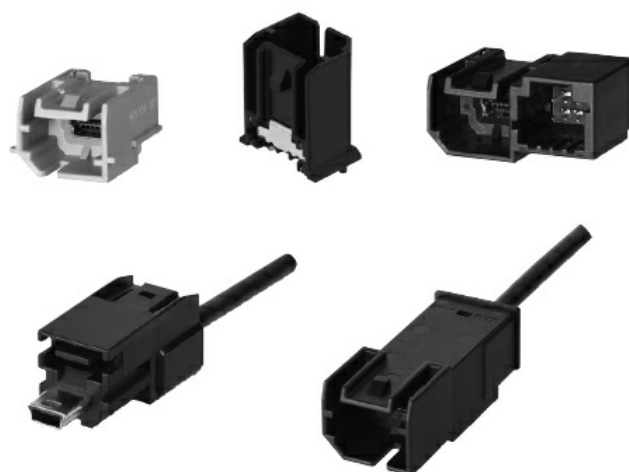


**CAM-K78A, CAM-K78V, CAM-K81, IAM-K80C,
IAM-K80J**

2023/03/22

Features

1. This is a connector that conforms to the USCAR-30 standards.
2. A connector whose mounting direction is opposite is provided also.
3. Both types support coding (a key).
4. A variety of angle-type connector are provided with considering the mounted shape.
5. A combo type of USCAR-30 connector (K81) integrated with an 8-pin connector are provided also.

Specifications

Rated voltage	5V DC
Rated Current	2.4A max.
Withstand Voltage	100V AC (rms) 1minute
Insulation resistance	100MΩ min. (100V DC)
Contact Resistance	50mΩ max.
Life (Matching Cycle) [times]	10
Total Insertion Force	45N max.
Total Withdrawal Force	45N max.
Using Temperature Range lower limit [deg.C]	-40

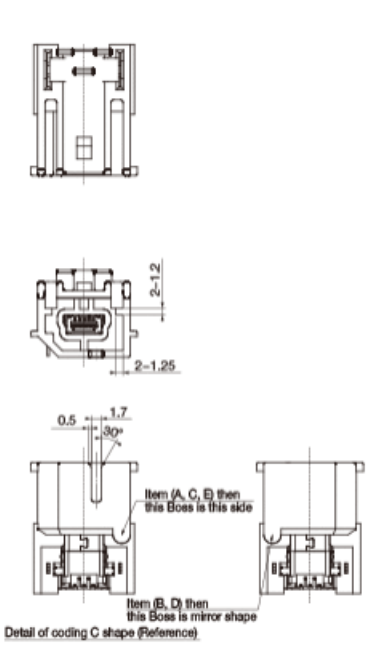
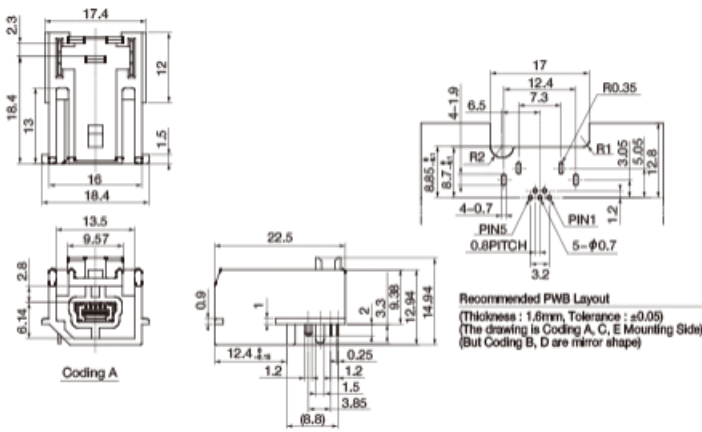
CAM-K78A, CAM-K78V, CAM-K81, IAM-K80C, IAM-K80J

2023/03/22

Using Temperature Range upper limit [deg.C]	85
---	----

Overall View

CAM-K78A (R41-A790)

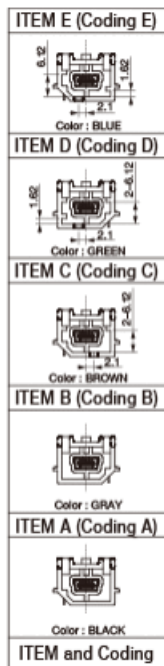
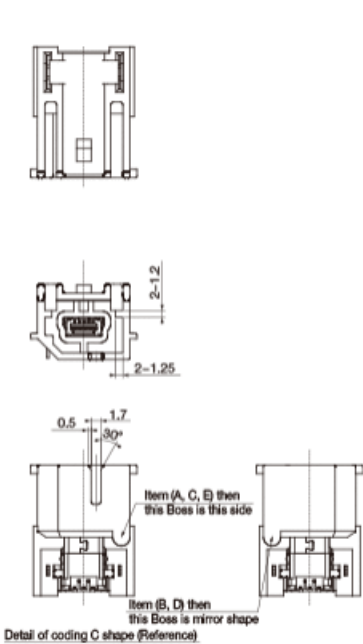
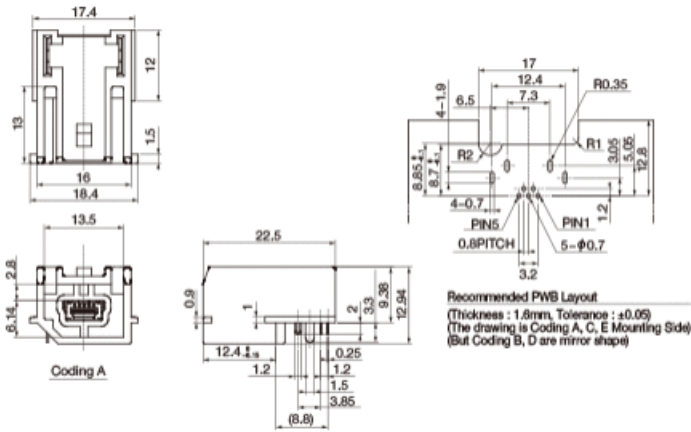


ITEM E (Coding E)		Color: BLUE
ITEM D (Coding D)		Color: GREEN
ITEM C (Coding C)		Color: BROWN
ITEM B (Coding B)		Color: GRAY
ITEM A (Coding A)		Color: BLACK
ITEM and Coding		

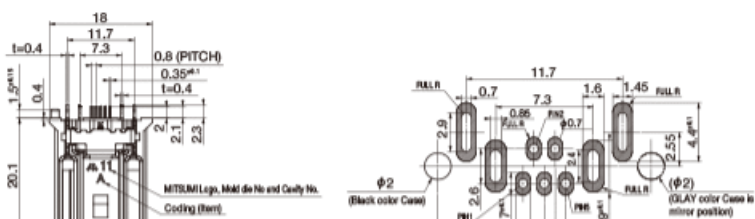
CAM-K78A, CAM-K78V, CAM-K81, IAM-K80C,
 IAM-K80J

2023/03/22

CAM-K78A (R41-A791)

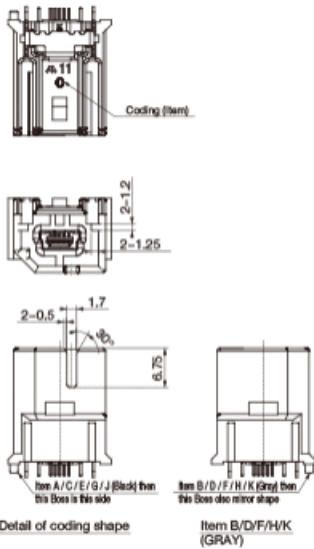
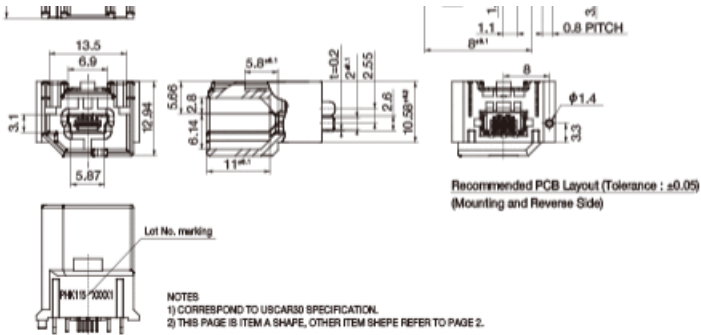


CAM-K78V



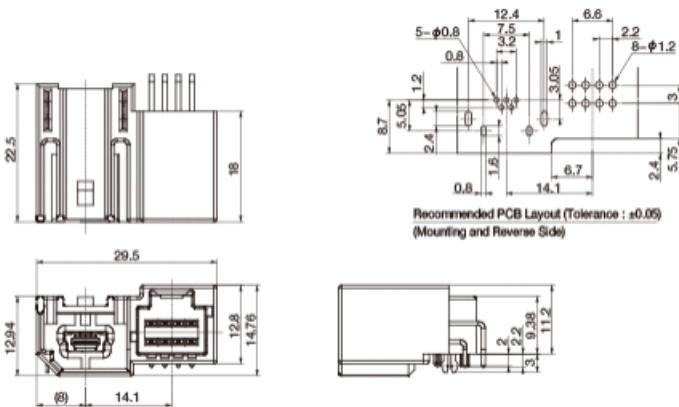
CAM-K78A, CAM-K78V, CAM-K81, IAM-K80C, IAM-K80J

2023/03/22



Color : BLACK	Color : GRAY
 ITEM J (Coding J)	 ITEM K (Coding K) Mirror image of ITEM J
 ITEM G (Coding G)	 ITEM H (Coding H) Mirror image of ITEM G
 ITEM E (Coding E)	 ITEM F (Coding F) Mirror image of ITEM E
 ITEM C (Coding C)	 ITEM D (Coding D) Mirror image of ITEM C
 ITEM A (Coding A)	 ITEM B (Coding B) Mirror image of ITEM A
ITEM and Coding	

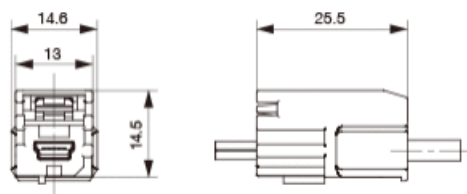
CAM-K81



IAM-K80C

**CAM-K78A, CAM-K78V, CAM-K81, IAM-K80C,
IAM-K80J**

2023/03/22



Unit:mm

NOTE

*Any products mentioned in this catalog are subject to any modification in their appearance and others for improvements without prior notification.

*The details listed here are not a guarantee of the individual products at the time of ordering. When using the products, you will be asked to check their specifications.