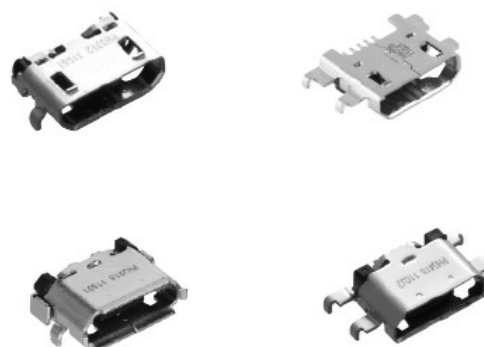


CAM-K01 Series

2023/03/22

Features



1. Compatible with Micro-USB standards.(USB2.0)
2. Small and more durable than Mini-USB connectors.
3. Soldering area to make connectors more reliable.
1. Compatible with Micro-USB standards.(USB2.0)
2. Small and more durable than Mini-USB connectors.
3. Soldering area to make connectors more reliable.

Specifications

Electric Characteristics

Rated Voltage : 5V AC (rms)

Rated Current :

When power is being applied on the power supply terminal;

1.8A/1 contact (No. 1&5 pin)

When power is being applied on the signal terminal;

1A/1 contact (No. 2&3&4 pin)

Withstanding Voltage : 100V AC (rms) 1minute

Contact Resistance : 30mΩ max.

CAM-K01 Series

2023/03/22

Mechanical Characteristics

Life (Matching Cycle) : 10,000times

Total Insertion Force : 35N (3.57kgf) max.

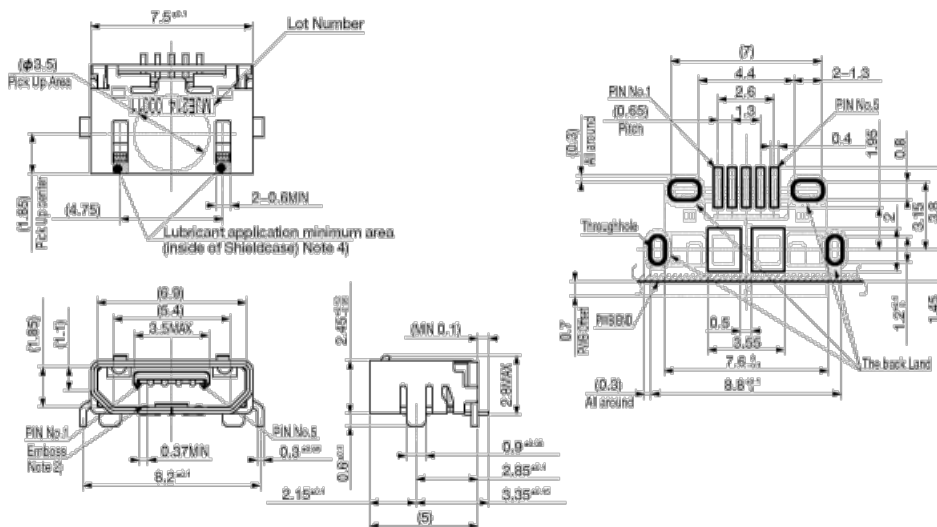
Total Withdrawal Force :

Beginning 8N (0.82kgf) min.

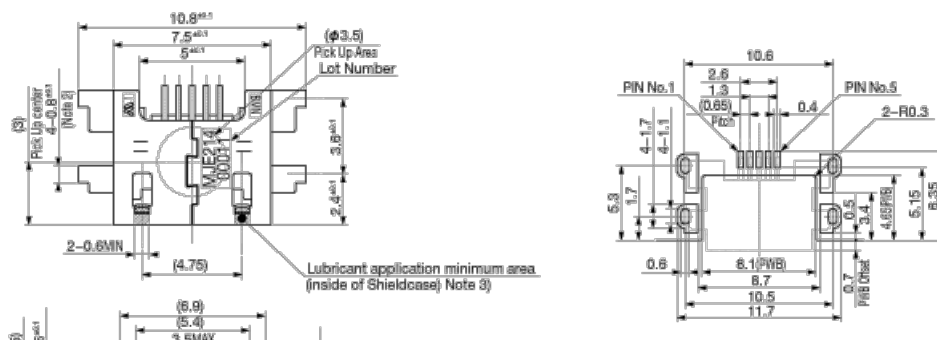
After 10,000 times 8~20N (0.82~2.04kgf)

Overall View

CAM-K01ND4



CAM-K01MN

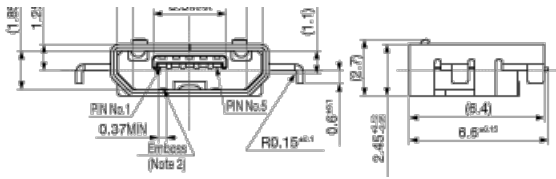


ミネベアミツミ株式会社

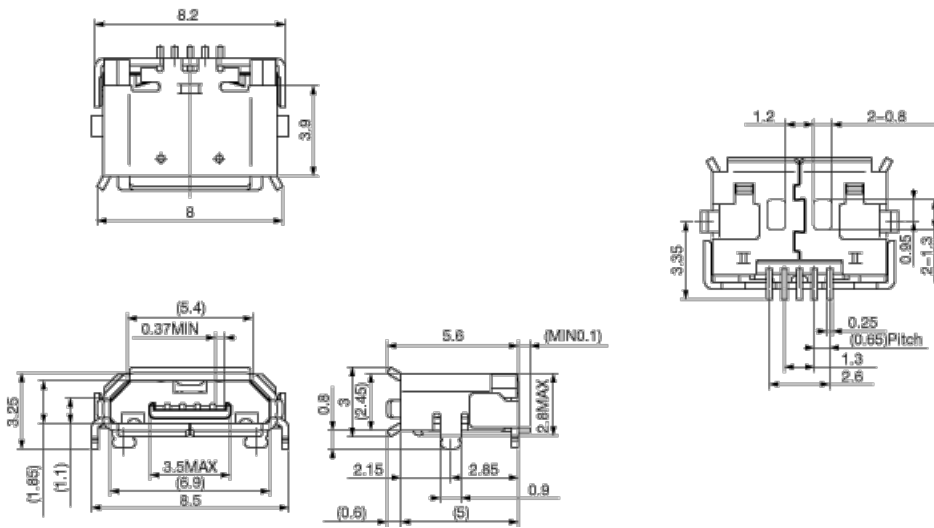
Copyright©MinebeaMitsumi Inc. All right reserved.

CAM-K01 Series

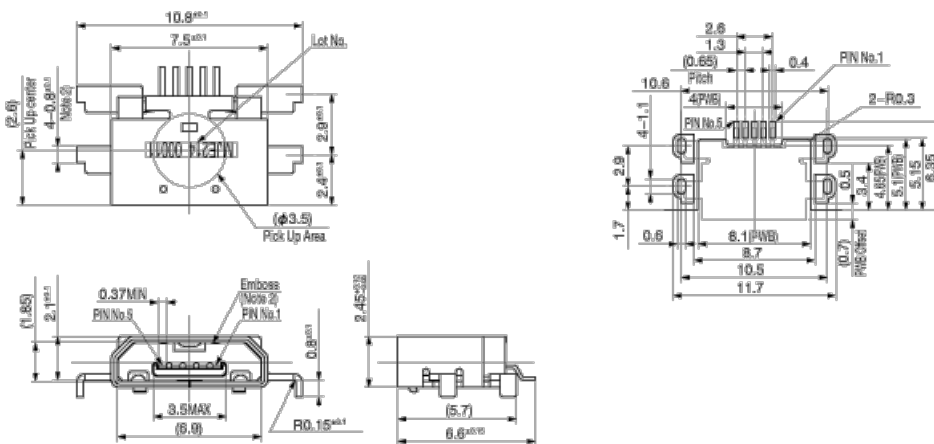
2023/03/22



CAM-K01RD4



CAM-K01MR



Unit:mm

Tolerance: ±0.05

CAM-K01 Series

2023/03/22

Tolerance: ±0.05

NOTE

*Any products mentioned in this catalog are subject to any modification in their appearance and others for improvements without prior notification.

*The details listed here are not a guarantee of the individual products at the time of ordering. When using the products, you will be asked to check their specifications.