

CAM-L06 Series

2023/03/22

Features



1. USB 3.1 Type-C Standard Compliant
2. TID : 5,200,000,331
3. USB PD Support
4. Improved wrenching strength
5. Optimized design with Precise processing technology advantage
6. High Quality

Specifications

Electric Characteristics

Rated Voltage : 20V rms

Rated Current :

VBUS pins (A4,A9,B4,B9) : Each pins total DC 5A max.

GND pins (A1,A12,B1,B12) : Each pins total DC 6.25A max.

Vconn : DC 1.25A max.

Other pins : DC 0.25A

Withstanding Voltage : AC 100V (rms) 1minute

Insulation Resistance : 100M Ω (Initial)

CAM-L06 Series

2023/03/22

Contact Resistance :40mΩ max. (Initial)

Mechanical Characteristics

Life (Matching Cycle) :10,000 Cycles

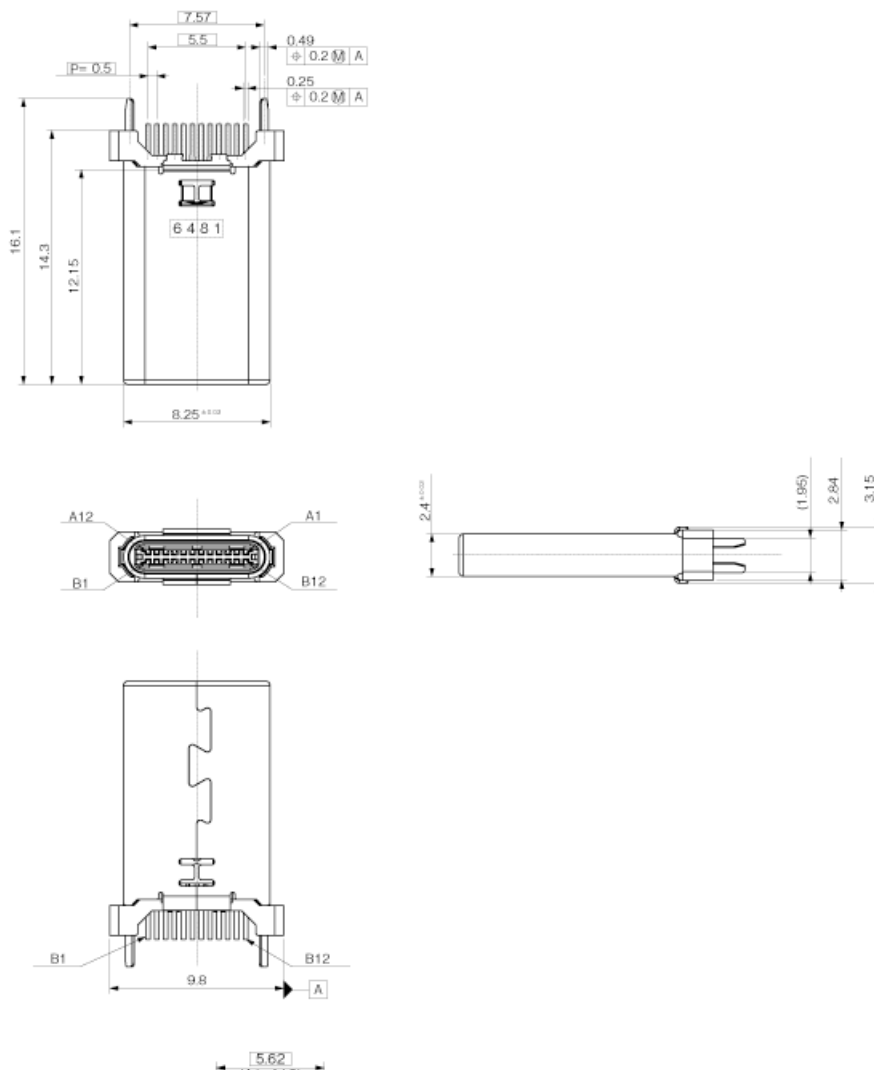
Total Insertion Force :5 to 20N

Total Withdrawal Force :

8 to 20N (Initial),

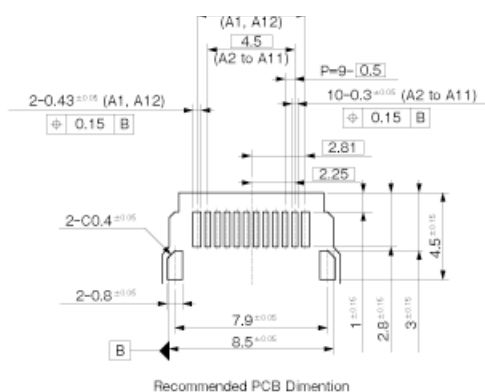
6 to 20N (After)

Overall View



CAM-L06 Series

2023/03/22



Unit:mm

NOTE

*Any products mentioned in this catalog are subject to any modification in their appearance and others for improvements without prior notification.

*The details listed here are not a guarantee of the individual products at the time of ordering. When using the products, you will be asked to check their specifications.