

USB Connectors “Type-C Series”

CAM-L06 Series

FEATURES

1. USB 3.1 Type-C™ Standard Compliant
2. TID : 5,200,000,331
3. USB PD Support
4. Improved wrenching strength
5. Optimized design with Precise processing technology advantage
6. High Quality



CAM-L06 Series LIST

| Model | Receptacle | Connector Type |
|---------|------------|----------------|
| CAM-L06 | Plug Head | USB Type-C |

SPECIFICATIONS

ELECTRICAL CHARACTERISTICS

| | |
|-----------------------|--|
| Rated Voltage | 20V rms |
| Rated Current | VBUS pins (A4,A9,B4,B9) : Each pins total DC 5A max. GND pins (A1,A12,B1,B12) : Each pins total DC 6.25A max. Vconn : DC 1.25A max. Other pins : DC 0.25A |
| Withstanding Voltage | AC 100V (rms) 1minute |
| Insulation Resistance | 100MΩ (Initial) |
| Contact Resistance | 40mΩ max. (Initial) |

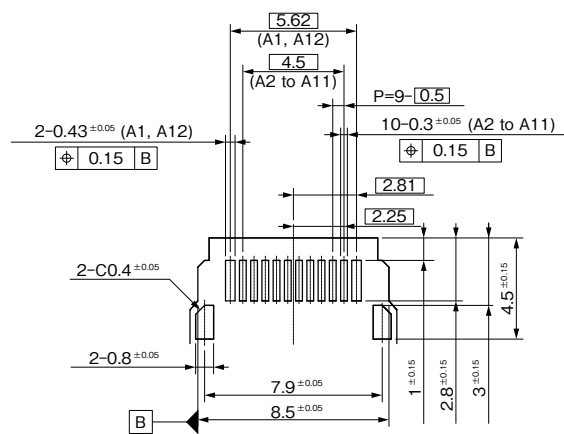
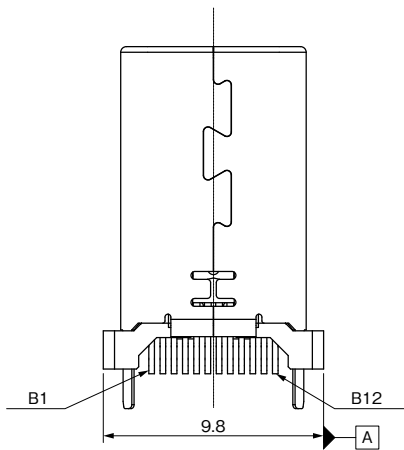
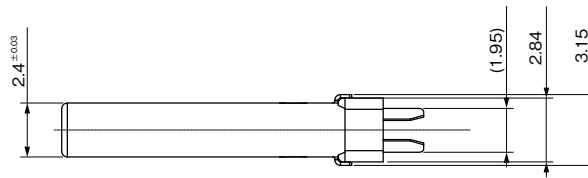
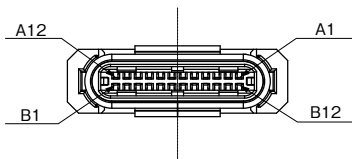
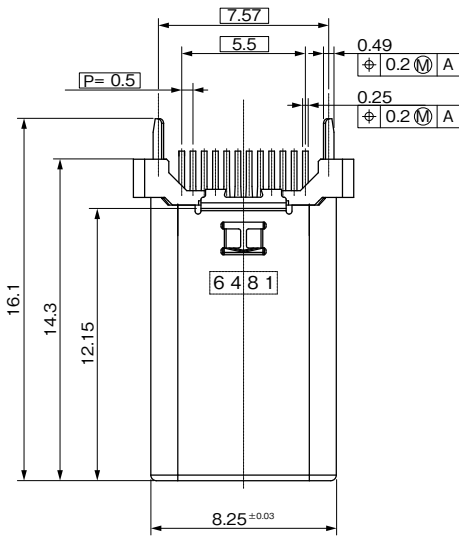
MECHANICAL CHARACTERISTICS

| | |
|------------------------|--------------------------------------|
| Life (Matching Cycle) | 10,000 Cycles |
| Total Insertion Force | 5 to 20N |
| Total Withdrawal Force | 8 to 20N (Initial), 6 to 20N (After) |

MATERIAL & FINISH

| Component Parts | Material | Finish |
|-----------------|--------------|-----------------|
| Housing | Nylon | Black |
| Contact | Copper alloy | NiPd+Au Plating |
| Shell | SUS/SUS | Ni Plating |
| Mid Plate | SUS/SUS | Ni Plating |
| EMC Pad | SUS/SUS | Ni Plating |

DIMENSIONS



Recommended PCB Dimension

Unit : mm

• Any products mentioned in this catalog are subject to any modification in their appearance and others for improvements without prior notification.
 • The details listed here are not a guarantee of the individual products at the time of ordering. When using the products, you will be asked to check their specifications.