

03010SS

General purpose

2022/07/28

General Specifications

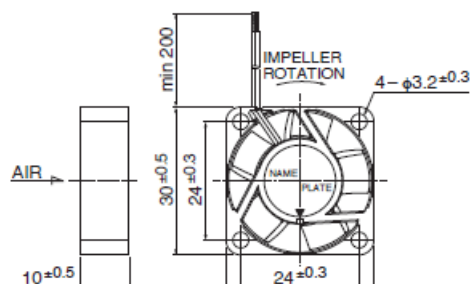


Motor Protection: Auto Restart / Polarity Protection
 Insulation Resistance: 10M ohm or over with a DC500V Megger
 Dielectric Withstand Voltage: AC700V 1s
 Allowable Ambient Temperature Range : -10deg.C - +70deg.C (Operating)
 -40deg.C - +70deg.C (Storage)
 non-condensing environment

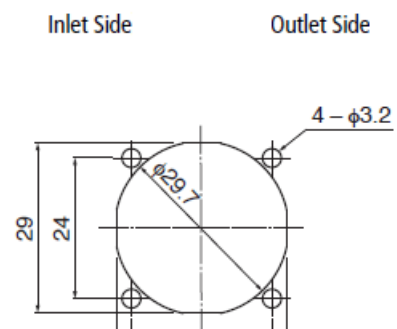
Expected Life

40deg.C 30,000 Hours *Failure Rate 10% (L10 Life)

Outline



Panel Out-cuts



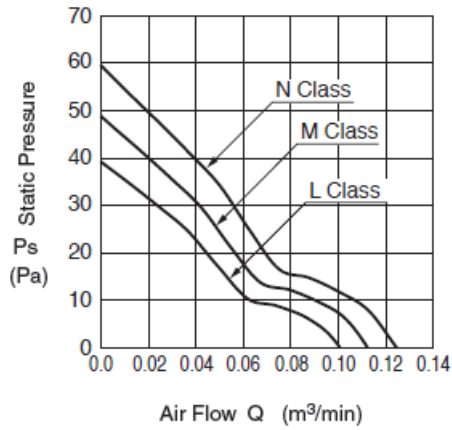
03010SS

General purpose

2022/07/28



Characteristic Curves



Material

Casing: Plastic (Black) UL94V-0

Impeller: Plastic (Black) UL94V-0

Bearing: Sleeve

BearingLead Wire: UL1061 AWG26 +: Red, -: Black

Specifications

Model	Product No	Nominal Voltage [V]	Operating Voltage lower limit [V]	Operating Voltage upper limit [V]	Current [A]	Input Power [W]
03010SS-05L-AA-00	00	5	4.5	5.5	0.12	0.60
03010SS-05M-AA-00	00	5	4.5	5.5	0.16	0.80

03010SS

General purpose

2022/07/28

03010SS-05N-AA-00	00	5	4.5	5.5	0.21	1.05
03010SS-12L-AA-00	00	12	7.0	13.2	0.06	0.72
03010SS-12M-AA-00	00	12	7.0	13.2	0.07	0.84
03010SS-12N-AA-00	00	12	6.0	13.2	0.08	0.96

Model	Speed [min-1]	Max. Air Flow [m3/min]	Max. Air Flow [CFM]	Max. Static Pressure [Pa]	Max. Static Pressure [In H2O]	Noise [dB]	Mass [g]
03010SS-05L-AA-00	8500	0.10	3.50	38.0	0.15	23.5	8.5
03010SS-05M-AA-00	9500	0.11	3.90	48.0	0.19	26.0	8.5
03010SS-05N-AA-00	10500	0.12	4.20	59.0	0.24	28.0	8.5
03010SS-12L-AA-00	8500	0.10	3.50	38.0	0.15	26.0	8.5
03010SS-12M-AA-00	9500	0.11	3.90	48.0	0.19	30.0	8.5
03010SS-12N-AA-00	10500	0.12	4.20	59.0	0.24	34.0	8.5

Rotation: Clockwise as seen from the label side

Airflow Outlet: Label side

*1: Average Values in Free Air