

03510SS

General purpose

2022/07/28

General Specifications

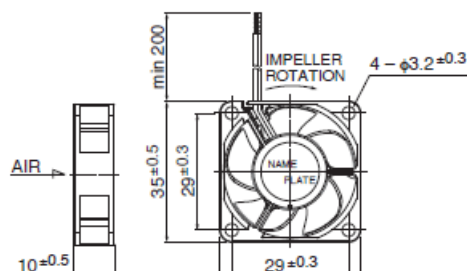


- Motor Protection: Auto Restart / Polarity Protection
- Insulation Resistance: 10M ohm or over with a DC500V Megger
- Dielectric Withstand Voltage: AC700V 1s
- Allowable Ambient Temperature Range : -10deg.C - +70deg.C (Operating)
- 40deg.C - +70deg.C (Storage)
- non-condensing environment

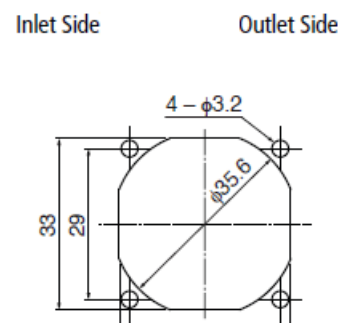
Expected Life

40deg.C 30,000 Hours *Failure Rate 10% (L10 Life)

Outline



Panel Out-cuts



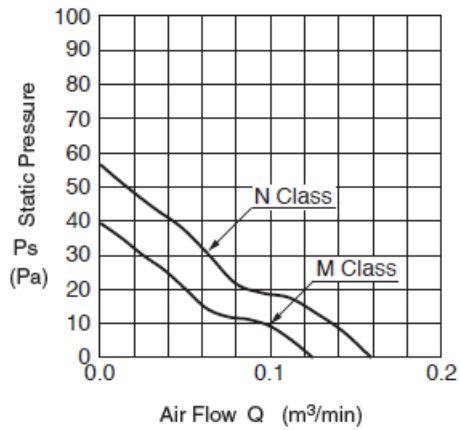
03510SS

General purpose

2022/07/28



Characteristic Curves



Material

- Casing: Plastic (Black) UL94V-0
- Impeller: Plastic (Black) UL94V-0
- Bearing: Sleeve
- Bearing Lead Wire: UL1061 AWG26 +: Red, -: Black

Specifications

Model	Product No	Nominal Voltage [V]	Operating Voltage lower limit [V]	Operating Voltage upper limit [V]	Current [A]	Input Power [W]
03510SS-05M-AA-00	00	5	4.5	5.5	0.12	0.60
03510SS-05N-AA-00	00	5	4.5	5.5	0.20	1.00

03510SS

General purpose

2022/07/28

UU						
03510SS-12M-AA-00	00	12	6.0	13.2	0.05	0.60
03510SS-12N-AA-00	00	12	6.0	13.2	0.07	0.84

Model	Speed [min-1]	Max. Air Flow [m3/min]	Max. Air Flow [CFM]	Max. Static Pressure [Pa]	Max. Static Pressure [In H2O]	Noise [dB]	Mass [g]
03510SS-05M-AA-00	8000	0.12	4.20	39.4	0.16	22.4	10.5
03510SS-05N-AA-00	10000	0.16	5.70	56.3	0.23	27.0	10.5
03510SS-12M-AA-00	8000	0.12	4.20	39.4	0.16	22.4	10.5
03510SS-12N-AA-00	10000	0.16	5.70	56.3	0.23	27.0	10.5

Rotation: Clockwise as seen from the label side

Airflow Outlet: Label side

*1: Average Values in Free Air