

04056EA (Counter Rotating Fan)

Server(Telecom)

2023/12/27

General Specifications

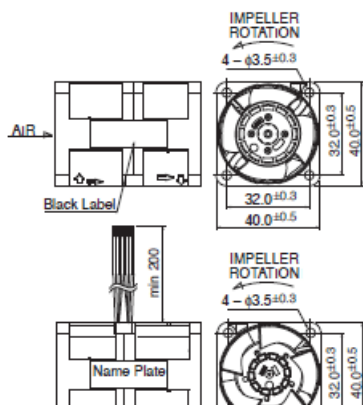


- Motor Protection: Auto Restart / Polarity Protection
- Insulation Resistance: 10M ohm or over with a DC500V Megger
- Dielectric Withstand Voltage: AC700V 1s
- Allowable Ambient Temperature Range : -10deg.C - +60deg.C (Operating)
 -30deg.C - +70deg.C (Storage)
- non-condensing environment

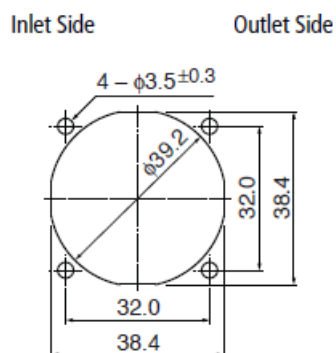
Expected Life

40deg.C 70,000 Hours (Target value) *Failure Rate 10% (L10 Life)

Outline



Panel Out-cuts



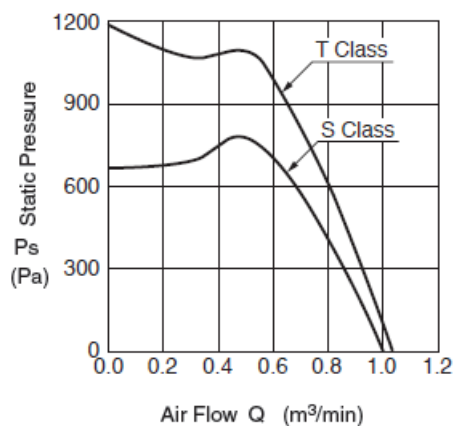
04056EA (Counter Rotating Fan)

Server(Telecom)

2023/12/27



Characteristic Curves



Material

Casing: Plastic (Black) UL94V-0

Impeller: Plastic (Black) UL94V-0

Bearing: Ball

Bearing Lead Wire: UL10368 AWG26 +: Red, Orange

-: Black, Gray

Specifications

Model	Product No	Nominal Voltage [V]	Operating Voltage lower limit [V]	Operating Voltage upper limit [V]	Current [A]	Input Power [W]
04056EA-12S-E6A-0	0	12	10.8	12.6	2.15	25.80
04056EA-12T-E6A-0	0	12	10.8	12.6	2.60	31.20

04056EA (Counter Rotating Fan)

Server(Telecom)

2023/12/27

Model	Speed Inlet [min-1]	Speed Outlet [min-1]	Max. Air Flow [m3/min]	Max. Air Flow [CFM]	Max. Static Pressure [Pa]	Max. Static Pressure [In H2O]	Noise [dB]
04056EA-12S-E6A-0	18900	14800	1.00	35.20	667.0	2.67	67.0
04056EA-12T-E6A-0	24000	22500	1.03	36.50	1200.0	4.82	73.0

Model	Mass [g]
04056EA-12S-E6A-0	90.0
04056EA-12T-E6A-0	90.0

Rotation: Clockwise as seen from the Outlet impeller side.

Counter Clockwise as seen from the Outlet impeller side.

Airflow Outlet: Outlet impeller side

*1: Average Values in Free Air