

06015KA

Maintenance Products General purpose

2023/12/27

General Specifications

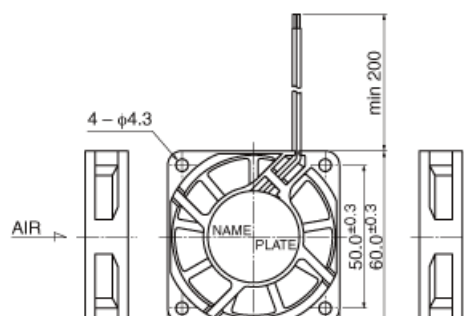


Motor Protection: Auto Restart / Polarity Protection
 Insulation Resistance: 10M ohm or over with a DC500V Megger
 Dielectric Withstand Voltage: AC700V 1s
 Allowable Ambient Temperature Range : -10deg.C - +60deg.C (Operating)
 -40deg.C - +60deg.C (Storage)
 non-condensing environment

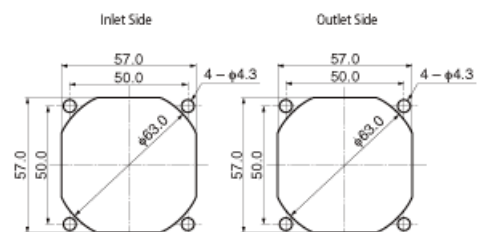
Expected Life

25deg.C 70,000 Hours *Failure Rate 10% (L10 Life)

Outline



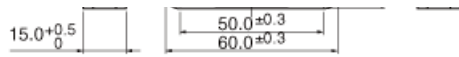
Panel Out-cuts



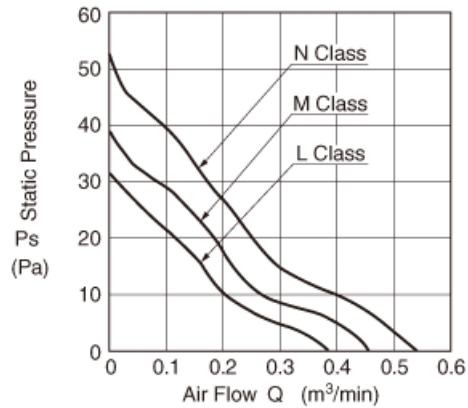
06015KA

Maintenance Products General purpose

2023/12/27



Characteristic Curves



Material

Casing: Plastic (Black) UL94V-0

Impeller: Plastic (Black) UL94V-0

Bearing: Ball

BearingLead Wire: UL1007 AWG26 +: Red, -: Black

Specifications

Model	Product No	Nominal Voltage [V]	Operating Voltage lower limit [V]	Operating Voltage upper limit [V]	Current [A]	Input Power [W]
06015KA-12L-AA-00	00	12	6.0	13.8	0.09	1.08
06015KA-12M-AA-00	00	12	6.0	13.8	0.13	1.56

06015KA

Maintenance Products General purpose

2023/12/27

Model	Speed [min-1]	Max. Air Flow [m3/min]	Max. Air Flow [CFM]	Max. Static Pressure [Pa]	Max. Static Pressure [In H2O]	Noise [dB]	Mass [g]
06015KA-12N-AA-00	00	12	6.0	13.8	0.16	1.92	
06015KA-24L-AA-00	00	24	12.0	27.6	0.06	1.44	
06015KA-24M-AA-00	00	24	10.0	27.6	0.07	1.68	
06015KA-24N-AA-00	00	24	10.0	27.6	0.10	2.40	

Model	Speed [min-1]	Max. Air Flow [m3/min]	Max. Air Flow [CFM]	Max. Static Pressure [Pa]	Max. Static Pressure [In H2O]	Noise [dB]	Mass [g]
06015KA-12L-AA-00	3600	0.40	14.10	31.3	0.13	28.0	45.0
06015KA-12M-AA-00	4100	0.45	15.90	39.7	0.16	31.0	45.0
06015KA-12N-AA-00	4600	0.52	18.40	51.2	0.21	34.0	45.0
06015KA-24L-AA-00	3600	0.40	14.10	31.3	0.13	28.0	45.0
06015KA-24M-AA-00	4100	0.45	15.90	39.7	0.16	31.0	45.0
06015KA-24N-AA-00	4600	0.52	18.40	51.2	0.21	34.0	45.0

Rotation: Clockwise as seen from the label side

Airflow Outlet: Label side

*1: Average Values in Free Air