

06020SA

General purpose

2023/12/27

General Specifications

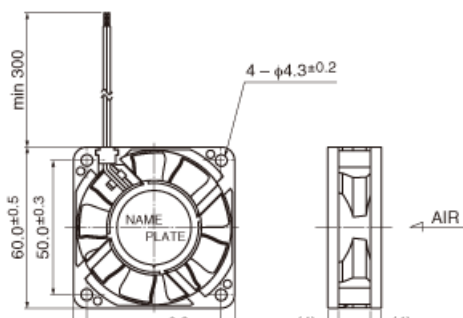


Motor Protection: Auto Restart / Polarity Protection
 Insulation Resistance: 10M ohm or over with a DC500V Megger
 Dielectric Withstand Voltage: AC700V 1s
 Allowable Ambient Temperature Range : -10deg.C - +70deg.C (Operating)
 -40deg.C - +70deg.C (Storage)
 non-condensing environment

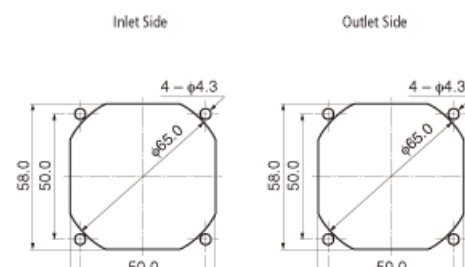
Expected Life

60deg.C 40,000 Hours *Failure Rate 10% (L10 Life)

Outline



Panel Out-cuts



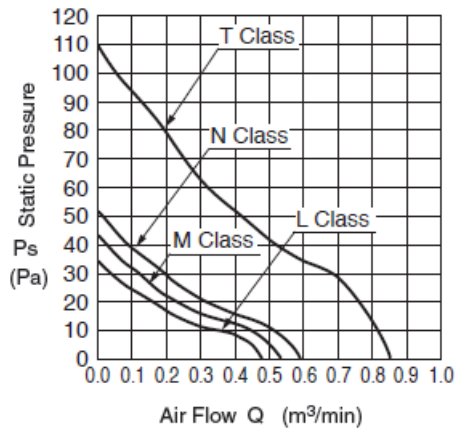
06020SA

General purpose

2023/12/27



Characteristic Curves



Material

- Casing: Plastic (Black) UL94V-0
- Impeller: Plastic (Black) UL94V-0
- Bearing: Ball
- BearingLead Wire: UL3385 AWG26 +: Red, -: Black

Specifications

Model	Product No	Nominal Voltage [V]	Operating Voltage lower limit [V]	Operating Voltage upper limit [V]	Current [A]	Input Power [W]
06020SA-12L-□A-00	00	12	6.0	13.8	0.06	0.72
06020SA-12M-□A-00	00	12	6.0	13.8	0.08	0.96

06020SA

General purpose

2023/12/27

06020SA-12N-□A-00	00	12	6.0	13.8	0.09	1.08
06020SA-12T-□A-00	00	12	6.0	13.8	0.24	2.88
06020SA-24L-□A-00	00	24	9.0	27.6	0.05	1.20
06020SA-24M-□A-00	00	24	9.0	27.6	0.06	1.44
06020SA-24N-□A-00	00	24	9.0	27.6	0.07	1.68

Model	Speed [min-1]	Max. Air Flow [m3/min]	Max. Air Flow [CFM]	Max. Static Pressure [Pa]	Max. Static Pressure [In H2O]	Noise [dB]	Mass [g]
06020SA-12L-□A-00	3600	0.47	16.60	34.7	0.14	26.0	56.0
06020SA-12M-□A-00	4000	0.52	18.40	42.6	0.17	28.5	56.0
06020SA-12N-□A-00	4400	0.58	20.50	52.1	0.21	30.5	56.0
06020SA-12T-□A-00	6400	0.86	30.40	109.0	0.44	42.5	56.0
06020SA-24L-□A-00	3600	0.47	16.60	34.4	0.14	26.0	56.0
06020SA-24M-□A-00	4000	0.52	18.40	40.0	0.16	28.5	56.0
06020SA-24N-□A-00	4400	0.58	20.50	49.1	0.20	30.5	56.0

Rotation: Clockwise as seen from the label side

Airflow Outlet: Label side

*1: Average Values in Free Air

□ = Casing Form A : Rib Type、 E : Flange Type