

06025DA

Server(Telecom)

2023/12/27

General Specifications



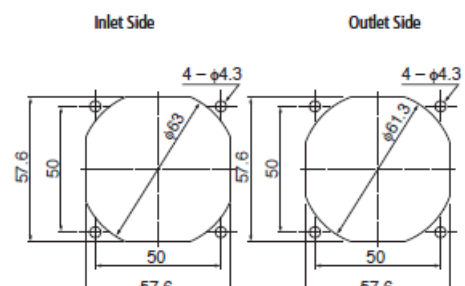
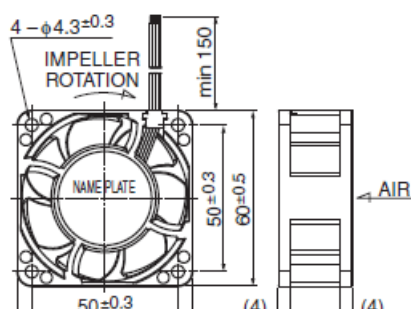
- Motor Protection: Auto Restart / Polarity Protection
- Insulation Resistance: 10M ohm or over with a DC500V Megger
- Dielectric Withstand Voltage: AC700V 1s
- Allowable Ambient Temperature Range : -10deg.C - +70deg.C (Operating)
- 40deg.C - +70deg.C (Storage)
- non-condensing environment

Expected Life

60deg.C 40,000 Hours *Failure Rate 10% (L10 Life)

Outline

Panel Out-cuts



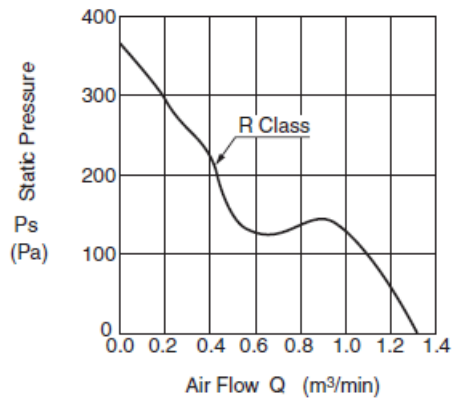
06025DA

Server(Telecom)

2023/12/27



Characteristic Curves



Material

Casing: Plastic (Black) UL94V-0

Impeller: Plastic (Black) UL94V-0

Bearing: Ball

Bearing Lead Wire: UL10368 AWG26 +: Red, -: Black

Specifications

Model	Product No	Nominal Voltage [V]	Operating Voltage lower limit [V]	Operating Voltage upper limit [V]	Current [A]	Input Power [W]
06025DA-48R-AA-00	00	48	38.0	52.8	0.21	10.08

06025DA

Server(Telecom)

2023/12/27

Model	Speed [min-1]	Max. Air Flow [m3/min]	Max. Air Flow [CFM]	Max. Static Pressure [Pa]	Max. Static Pressure [In H2O]	Noise [dB]	Mass [g]
06025DA-48R- AA-00	11000	1.32	46.60	366.2	1.47	53.0	95.0

Rotation: Clockwise as seen from the label side

Airflow Outlet: Label side

*1: Average Values in Free Air