

06615JS for Evaporator

Refrigerator

2023/12/27

General Specifications



Motor Protection: Auto Restart

Insulation Resistance: 10M ohm or over with a DC500V Megger

Dielectric Withstand Voltage: AC700V 1s

Allowable Ambient Temperature Range : -40deg.C - +40deg.C (Operating)

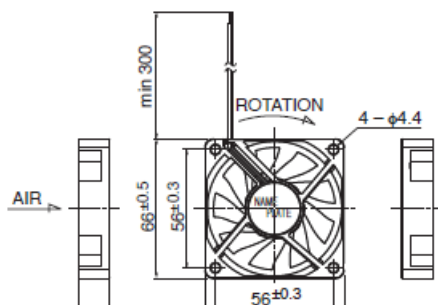
-40deg.C - +60deg.C (Storage)

non-condensing environment

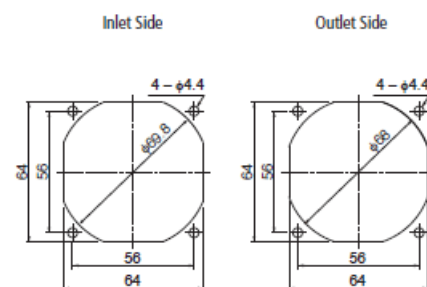
Expected Life

25deg.C 40,000 Hours *Failure Rate 10% (L10 Life)

Outline



Panel Out-cuts



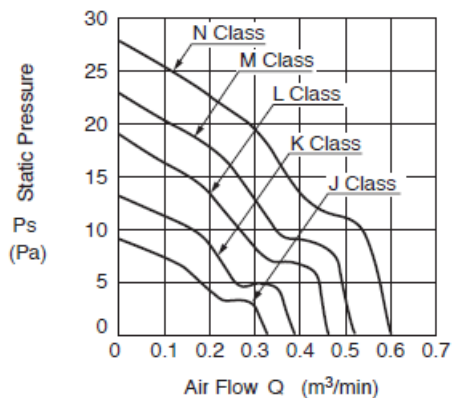
06615JS for Evaporator

Refrigerator

2023/12/27



Characteristic Curves



Material

Casing: Plastic (Black) UL94V-0

Impeller: Plastic (Black) UL94V-0

Bearing: Sleeve

Bearing Lead Wire: UL1061 AWG24 +: Red, -: Black

Specifications

Model	Product No	Nominal Voltage [V]	Operating Voltage lower limit [V]	Operating Voltage upper limit [V]	Current [A]	Input Power [W]
06615JS-12J-BA-F0	F0	12	7.0	13.2	0.04	0.48
06615JS-12K-BA-F0	F0	12	7.0	13.2	0.06	0.72

06615JS for Evaporator

Refrigerator

2023/12/27

06615JS-12L-BA-F0	F0	12	7.0	13.2	0.08	0.96
06615JS-12M-BA-F0	F0	12	7.0	13.2	0.12	1.44
06615JS-12N-BA-F0	F0	12	7.0	13.2	0.19	2.28

Model	Speed [min-1]	Max. Air Flow [m3/min]	Max. Air Flow [CFM]	Max. Static Pressure [Pa]	Max. Static Pressure [In H2O]	Noise [dB]	Mass [g]
06615JS-12J-BA-F0	2600	0.33	11.70	9.1	0.04	22.5	42.0
06615JS-12K-BA-F0	3100	0.39	13.80	13.2	0.05	27.5	42.0
06615JS-12L-BA-F0	3600	0.45	15.90	19.0	0.08	32.0	42.0
06615JS-12M-BA-F0	4100	0.52	18.40	23.0	0.09	35.5	42.0
06615JS-12N-BA-F0	4600	0.60	21.20	28.0	0.11	39.0	42.0

Rotation: Clockwise as seen from the label side

Airflow Outlet: Label side

*1: Average Values in Free Air