

08015JE for Evaporator

Refrigerator

2023/12/27

General Specifications



Motor Protection: Auto Restart

Insulation Resistance: 10M ohm or over with a DC500V Megger

Dielectric Withstand Voltage: AC700V 1s

Allowable Ambient Temperature Range : -40deg.C - +40deg.C (Operating)

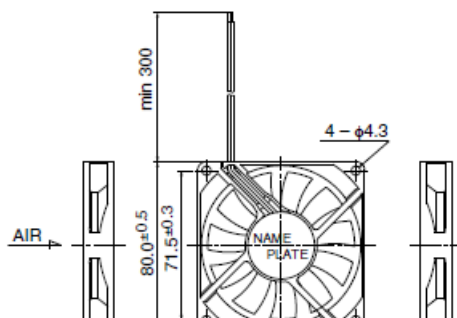
-40deg.C - +60deg.C (Storage)

non-condensing environment

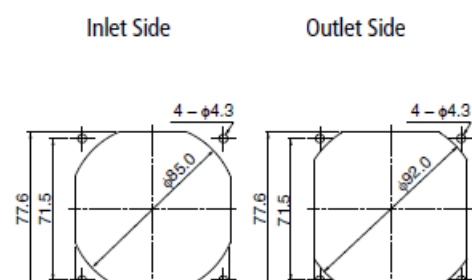
Expected Life

-20deg.C 70,000 Hours *Failure Rate 10% (L10 Life)

Outline



Panel Out-cuts



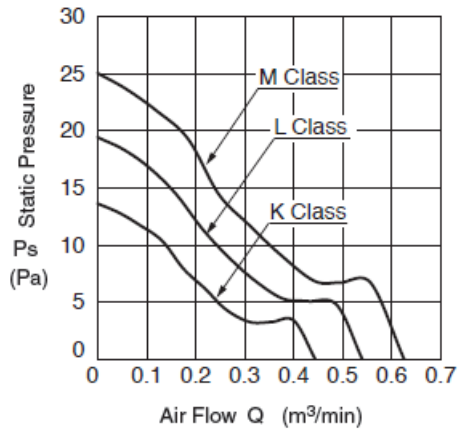
08015JE for Evaporator

Refrigerator

2023/12/27



Characteristic Curves



Material

Casing: Plastic (Black) UL94V-0

Impeller: Plastic (Black) UL94V-0

Bearing: Ball

Bearing Lead Wire: UL1007 AWG26 +: Red, -: Black

Specifications

Model	Product No	Nominal Voltage [V]	Operating Voltage lower limit [V]	Operating Voltage upper limit [V]	Current [A]	Input Power [W]
08015JE-12K-BA-F0	F0	12	7.0	13.2	0.04	0.48
08015JE-12L-BA-F0	F0	12	7.0	13.2	0.07	0.84

08015JE for Evaporator

Refrigerator

2023/12/27

Model	Speed [min-1]	Max. Air Flow [m3/min]	Max. Air Flow [CFM]	Max. Static Pressure [Pa]	Max. Static Pressure [In H2O]	Noise [dB]	Mass [g]
08015JE-12K-BA-F0	2000	0.44	15.70	13.4	0.05	23.5	55.0
08015JE-12L-BA-F0	2400	0.54	19.10	19.2	0.08	28.0	55.0
08015JE-12M-BA-F0	2800	0.63	22.20	25.0	0.10	32.0	55.0

Rotation: Clockwise as seen from the label side

Airflow Outlet: Label side

*1: Average Values in Free Air