

08020SA

General purpose

2023/12/27

General Specifications

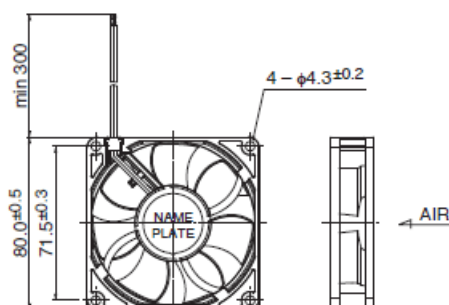


- Motor Protection: Auto Restart / Polarity Protection
- Insulation Resistance: 10M ohm or over with a DC500V Megger
- Dielectric Withstand Voltage: AC700V 1s
- Allowable Ambient Temperature Range : -10deg.C - +70deg.C (Operating)
- 40deg.C - +70deg.C (Storage)
- non-condensing environment

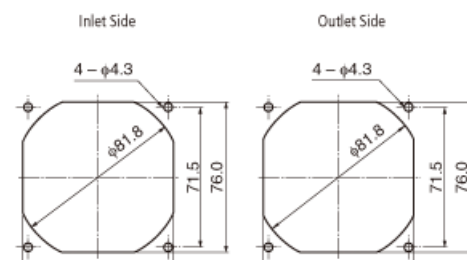
Expected Life

60deg.C 40,000 Hours *Failure Rate 10% (L10 Life)

Outline



Panel Out-cuts



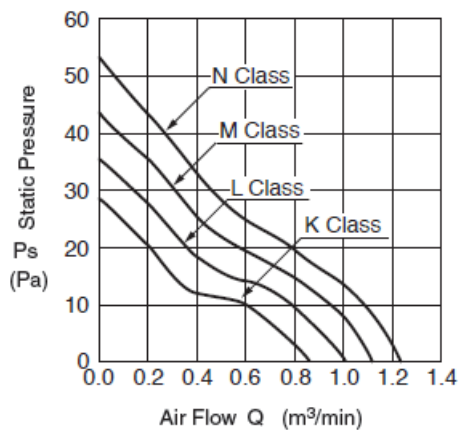
08020SA

General purpose

2023/12/27



Characteristic Curves



Material

- Casing: Plastic (Black) UL94V-0
- Impeller: Plastic (Black) UL94V-0
- Bearing: Ball
- Bearing Lead Wire: UL3385 AWG26 +: Red, -: Black

Specifications

Model	Product No	Nominal Voltage [V]	Operating Voltage lower limit [V]	Operating Voltage upper limit [V]	Current [A]	Input Power [W]
08020SA-12K-□A-00	00	12	6.0	13.8	0.07	0.84
08020SA-12L-□A-00	00	12	6.0	13.8	0.09	1.08

08020SA

General purpose

2023/12/27

00						
08020SA-12M-□A-00	00	12	6.0	13.2	0.13	1.56
08020SA-24K-□A-00	00	24	9.0	27.6	0.06	1.44
08020SA-24L-□A-00	00	24	9.0	27.6	0.07	1.68
08020SA-24M-□A-00	00	24	9.0	27.6	0.09	2.16
08020SA-24N-□A-00	00	24	10.0	26.4	0.10	2.40

Model	Speed [min-1]	Max. Air Flow [m3/min]	Max. Air Flow [CFM]	Max. Static Pressure [Pa]	Max. Static Pressure [In H2O]	Noise [dB]	Mass [g]
08020SA-12K-□A-00	2900	0.88	31.10	34.9	0.14	31.0	80.0
08020SA-12L-□A-00	3300	1.02	36.00	43.6	0.17	34.0	80.0
08020SA-12M-□A-00	3700	1.13	39.90	52.8	0.21	37.5	80.0
08020SA-24K-□A-00	2900	0.88	31.10	28.5	0.11	31.0	80.0
08020SA-24L-□A-00	3300	1.02	36.00	35.0	0.14	34.0	80.0
08020SA-24M-□A-00	3700	1.13	39.90	44.0	0.18	37.5	80.0
08020SA-24N-□A-00	4000	1.20	42.40	53.0	0.21	40.5	80.0

Rotation: Clockwise as seen from the label side

Airflow Outlet: Label side

*1: Average Values in Free Air

□ = Casing Form A : Rib Type、 E : Flange Type