

**08020SS**

General purpose

2023/12/27

**General Specifications**

Motor Protection: Auto Restart / Polarity Protection

Insulation Resistance: 10M ohm or over with a DC500V Megger

Dielectric Withstand Voltage: AC700V 1s

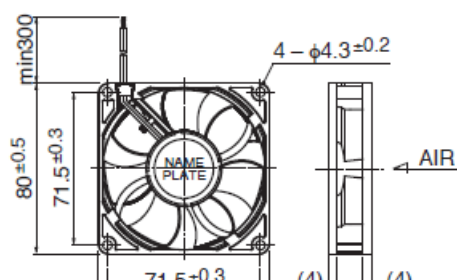
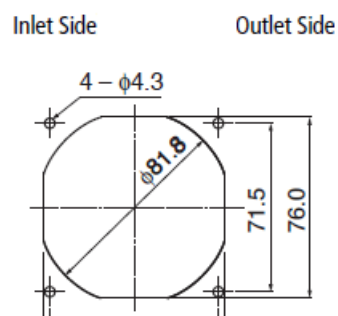
Allowable Ambient Temperature Range :-10deg.C - +70deg.C (Operating)

-40deg.C - +70deg.C (Storage)

non-condensing environment

**Expected Life**

40deg.C 50,000 Hours \*Failure Rate 10% (L10 Life)

**Outline****Panel Out-cuts**

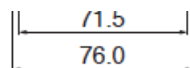
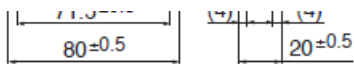
ミネベアミツミ株式会社

Copyright©MinebeaMitsumi Inc. All right reserved.

# 08020SS

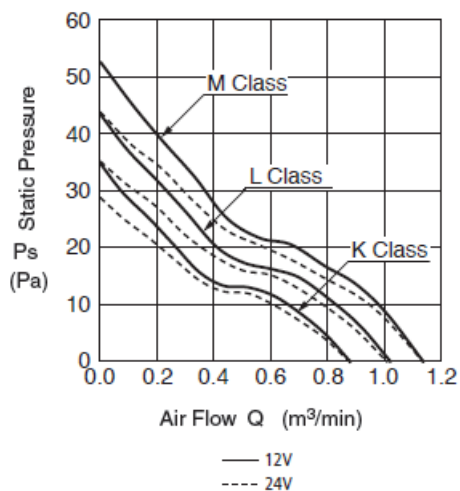
General purpose

2023/12/27



\* Outline is A (Rib) type.

## Characteristic Curves



## Material

Casing: Plastic (Black) UL94V-0

Impeller: Plastic (Black) UL94V-0

Bearing: Sleeve

BearingLead Wire: UL1007 AWG26 +: Red, -: Black

## Specifications

Model	Product No	Nominal Voltage [V]	Operating Voltage lower limit [V]	Operating Voltage upper limit [V]	Current [A]	Input Power [W]
08020SS-12K-□A- nn	00	12	6.0	13.8	0.08	0.96

## 08020SS

General purpose

2023/12/27

08020SS-12L-□A-00	00	12	6.0	13.8	0.11	1.32
08020SS-12M-□A-00	00	12	6.0	13.8	0.15	1.80
08020SS-24K-□A-00	00	24	12.0	27.6	0.06	1.44
08020SS-24L-□A-00	00	24	12.0	27.6	0.07	1.68
08020SS-24M-□A-00	00	24	12.0	27.6	0.09	2.16

Model	Speed [min-1]	Max. Air Flow [m3/min]	Max. Air Flow [CFM]	Max. Static Pressure [Pa]	Max. Static Pressure [In H2O]	Noise [dB]	Mass [g]
08020SS-12K-□A-00	2900	0.88	31.10	34.9	0.14	31.0	75.0
08020SS-12L-□A-00	3300	1.02	36.00	43.6	0.18	34.0	75.0
08020SS-12M-□A-00	3700	1.13	39.90	52.8	0.21	37.5	75.0
08020SS-24K-□A-00	2900	0.88	31.10	28.5	0.11	31.0	75.0
08020SS-24L-□A-00	3300	1.02	36.10	35.0	0.14	34.0	75.0
08020SS-24M-□A-00	3700	1.13	39.90	44.0	0.18	37.5	75.0

Rotation: Clockwise as seen from the label side

Airflow Outlet: Label side

\*1: Average Values in Free Air

□ = Casing Form A : Rib Type、 E : Flange Type