

# 08025DC

Maintenance Products Industrial

2023/12/27

## General Specifications

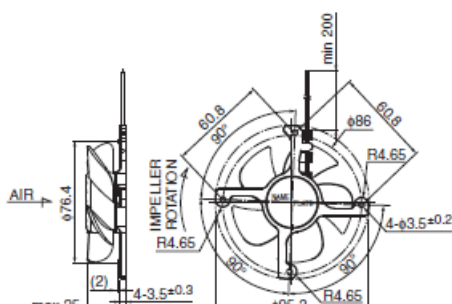


Motor Protection: Auto Restart / Polarity Protection  
 Insulation Resistance: 10M ohm or over with a DC500V Megger  
 Dielectric Withstand Voltage: AC700V 1s  
 Allowable Ambient Temperature Range : -10deg.C - +85deg.C (Operating)  
 -40deg.C - +85deg.C (Storage)  
 non-condensing environment

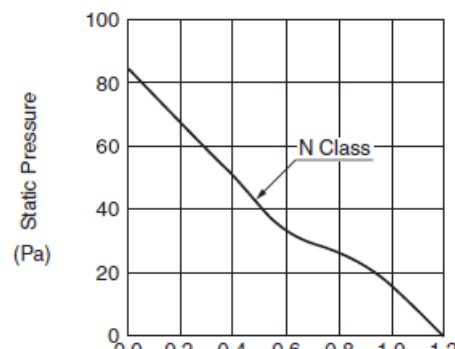
## Expected Life

85deg.C 40,000 Hours \*Failure Rate 10% (L10 Life)

## Outline



## Characteristic Curves



# 08025DC

Maintenance Products Industrial

2023/12/27



## Material

Casing:Aluminum (No Paint)

Impeller:Plastic (Black) UL94V-0

Bearing:Ball

Bearing Lead Wire:UL3266 AWG24 +: Red, -: Black

\* Customize service for IP compatible type and Oil-proof type is available for this item.

Please contact to our sales representative for more detail.

## Specifications

Model	Product No	Nominal Voltage [V]	Operating Voltage lower limit [V]	Operating Voltage upper limit [V]	Current [A]	Input Power [W]
08025DC-12N-WAA-0	0	12	10.0	13.2	0.19	2.28

Model	Speed [min-1]	Max. Air Flow [m3/min]	Max. Air Flow [CFM]	Max. Static Pressure [Pa]	Max. Static Pressure [In H2O]	Noise [dB]	Mass [g]
08025DC-12N-WAA-0	4550	1.20	42.40	84.0	0.34	36.0	75.0

Rotation: Clockwise as seen from the label side

Airflow Outlet: Label side

\*1: Average Values in Free Air

\*2: Measured by dedicated the casing