

09225JS for Condenser

Refrigerator

2023/12/27

General Specifications



Motor Protection: Auto Restart

Insulation Resistance: 10M ohm or over with a DC500V Megger

Dielectric Withstand Voltage: AC700V 1s

Allowable Ambient Temperature Range : -10deg.C - +70deg.C (Operating)

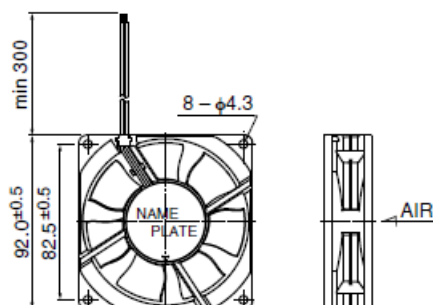
-40deg.C - +70deg.C (Storage)

non-condensing environment

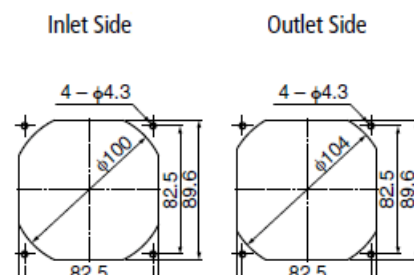
Expected Life

40deg.C 50,000 Hours *Failure Rate 10% (L10 Life)

Outline



Panel Out-cuts



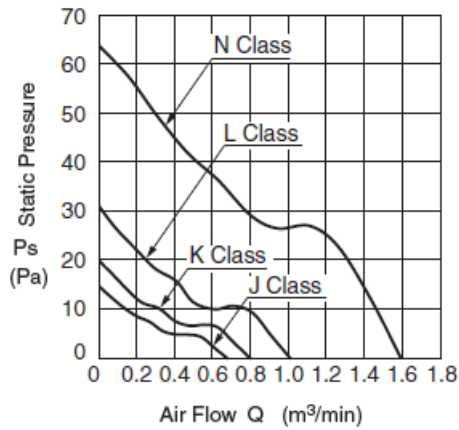
09225JS for Condenser

Refrigerator

2023/12/27



Characteristic Curves



Material

Casing: Plastic (Black) UL94V-0

Impeller: Plastic (Black) UL94V-0

Bearing: Sleeve

Bearing Lead Wire: UL1007 AWG26 +: Red, -: Black

Specifications

Model	Product No	Nominal Voltage [V]	Operating Voltage lower limit [V]	Operating Voltage upper limit [V]	Current [A]	Input Power [W]
09225JS-12J-FA-00	00	12	6.0	13.2	0.04	0.48
09225JS-12K-FA-00	00	12	6.0	13.2	0.06	0.72

09225JS for Condenser

Refrigerator

2023/12/27

UU						
09225JS-12L-FA-00	00	12	6.0	13.2	0.08	0.96
09225JS-24N-FA-00	00	24	20.4	26.4	0.16	3.84

Model	Speed [min-1]	Max. Air Flow [m3/min]	Max. Air Flow [CFM]	Max. Static Pressure [Pa]	Max. Static Pressure [In H2O]	Noise [dB]	Mass [g]
09225JS-12J-FA-00	1700	0.68	24.10	14.9	0.06	21.0	108.0
09225JS-12K-FA-00	2000	0.80	28.30	20.0	0.08	25.5	108.0
09225JS-12L-FA-00	2500	1.01	35.70	31.2	0.13	31.0	108.0
09225JS-24N-FA-00	3900	1.59	56.10	64.0	0.26	43.0	108.0

Rotation: Clockwise as seen from the label side

Airflow Outlet: Label side

*1: Average Values in Free Air