

# 09225SS

General purpose

2023/12/27

## General Specifications

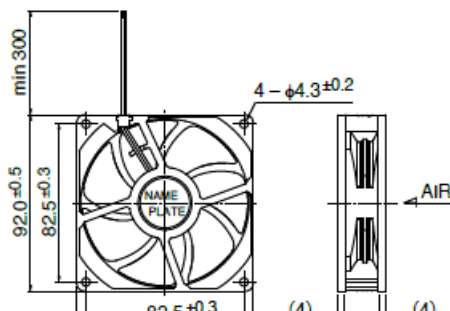


- Motor Protection: Auto Restart / Polarity Protection
- Insulation Resistance: 10M ohm or over with a DC500V Megger
- Dielectric Withstand Voltage: AC700V 1s
- Allowable Ambient Temperature Range : -10deg.C - +70deg.C (Operating)
- 40deg.C - +70deg.C (Storage)
- non-condensing environment

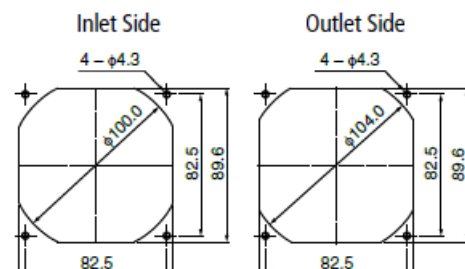
## Expected Life

40deg.C 50,000 Hours \*Failure Rate 10% (L10 Life)

## Outline



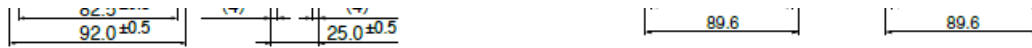
## Panel Out-cuts



# 09225SS

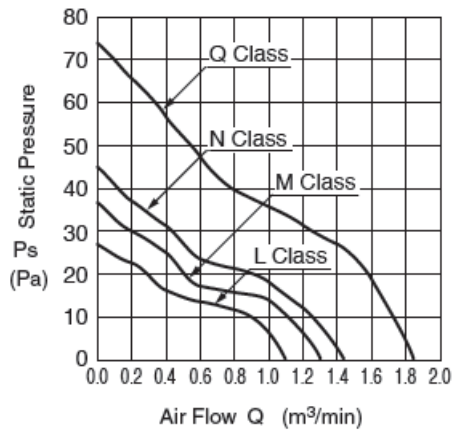
General purpose

2023/12/27



Outline is A (Rib) type.

## Characteristic Curves



## Material

Casing: Plastic (Black) UL94V-0

Impeller: Plastic (Black) UL94V-0

Bearing: Sleeve

Bearing Lead Wire: UL1007 AWG26 +: Red, -: Black

## Specifications

Model	Product No	Nominal Voltage [V]	Operating Voltage lower limit [V]	Operating Voltage upper limit [V]	Current [A]	Input Power [W]
09225SS-12L-□A-D0	D0	12	6.0	13.8	0.09	1.08
09225SS-12M-□A-D0	D0	12	6.0	13.8	0.14	1.68

## 09225SS

General purpose

2023/12/27

Model	Speed [min-1]	Max. Air Flow [m3/min]	Max. Air Flow [CFM]	Max. Static Pressure [Pa]	Max. Static Pressure [In H2O]	Noise [dB]	Mass [g]
09225SS-12N-□A-D0	2400	1.13	39.90	29.0	0.12	25.0	102.0
09225SS-12Q-□A-D0	3900	1.84	65.00	73.0	0.29	40.0	102.0
09225SS-24L-□A-D0	2400	1.13	39.90	29.0	0.12	25.0	102.0
09225SS-24M-□A-D0	2750	1.28	45.20	36.2	0.14	29.0	102.0
09225SS-24N-□A-D0	3100	1.45	51.20	45.0	0.18	32.0	102.0
09225SS-24Q-□A-D0	3900	1.84	65.00	73.0	0.29	40.0	102.0

Model	Speed [min-1]	Max. Air Flow [m3/min]	Max. Air Flow [CFM]	Max. Static Pressure [Pa]	Max. Static Pressure [In H2O]	Noise [dB]	Mass [g]
09225SS-12L-□A-D0	2400	1.13	39.90	29.0	0.12	25.0	102.0
09225SS-12M-□A-D0	2750	1.28	45.20	36.2	0.14	29.0	102.0
09225SS-12N-□A-D0	3100	1.45	51.20	45.0	0.18	32.0	102.0
09225SS-12Q-□A-D0	3900	1.84	65.00	73.0	0.29	40.0	102.0
09225SS-24L-□A-D0	2400	1.13	39.90	29.0	0.12	25.0	102.0
09225SS-24M-□A-D0	2750	1.28	45.20	36.2	0.14	29.0	102.0
09225SS-24N-□A-D0	3100	1.45	51.20	45.0	0.18	32.0	102.0
09225SS-24Q-□A-D0	3900	1.84	65.00	73.0	0.29	40.0	102.0

Rotation: Clockwise as seen from the label side

Airflow Outlet: Label side

\*1: Average Values in Free Air

□ = Casing Form A : Rib Type、 E : Flange Type