

# 09238RA(D-type)

Industrial

2023/12/27

## General Specifications

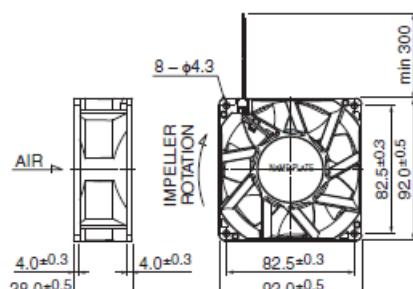


- Motor Protection: Auto Restart / Polarity Protection
- Insulation Resistance: 10M ohm or over with a DC500V Megger
- Dielectric Withstand Voltage: AC700V 1s
- Allowable Ambient Temperature Range : -10deg.C - +70deg.C (Operating)  
 -40deg.C - +70deg.C (Storage)
- non-condensing environment

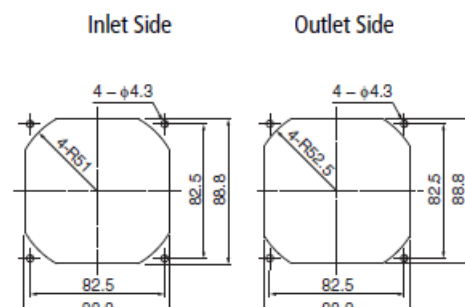
## Expected Life

25deg.C 100,000 Hours \*Failure Rate 10% (L10 Life)

## Outline



## Panel Out-cuts



# 09238RA(D-type)

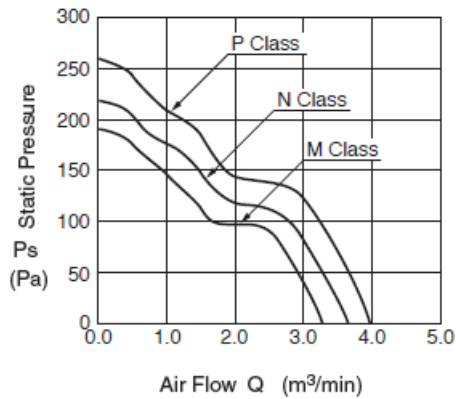
Industrial

2023/12/27



\* Outline is E (Flange) type.

## Characteristic Curves



## Material

Casing: Plastic (Black) UL94V-0

Impeller: Plastic (Black) UL94V-0

Bearing: Ball

Bearing Lead Wire: UL3385 AWG26 +: Red, -: Black

\* Customize service for IP compatible type and Oil-proof type is available for this item.

Please contact to our sales representative for more detail.

## Specifications

| Model                  | Product No | Nominal Voltage [V] | Operating Voltage lower limit [V] | Operating Voltage upper limit [V] | Current [A] | Input Power [W] |
|------------------------|------------|---------------------|-----------------------------------|-----------------------------------|-------------|-----------------|
| 09238RA-24M0-<br>□AD-0 | 0          | 24                  | 14.0                              | 27.6                              | 0.56        | 13.44           |

**09238RA(D-type)**

Industrial

2023/12/27

|                        |   |    |      |      |      |       |
|------------------------|---|----|------|------|------|-------|
| 09238RA-24N0-<br>□AD-0 | 0 | 24 | 14.0 | 27.6 | 0.71 | 17.04 |
| 09238RA-24P0-□AD-<br>0 | 0 | 24 | 14.0 | 27.6 | 0.92 | 22.08 |

| Model                  | Speed<br>[min-<br>1] | Max. Air<br>Flow<br>[m3/min] | Max. Air<br>Flow<br>[CFM] | Max. Static<br>Pressure<br>[Pa] | Max. Static<br>Pressure<br>[In H2O] | Noise<br>[dB] | Mass<br>[g] |
|------------------------|----------------------|------------------------------|---------------------------|---------------------------------|-------------------------------------|---------------|-------------|
| 09238RA-24M0-<br>□AD-0 | 5700                 | 3.36                         | 118.60                    | 187.0                           | 0.75                                | 57.0          | 230.0       |
| 09238RA-24N0-<br>□AD-0 | 6200                 | 3.68                         | 129.90                    | 222.0                           | 0.89                                | 59.0          | 230.0       |
| 09238RA-24P0-<br>□AD-0 | 6700                 | 4.00                         | 141.20                    | 260.0                           | 1.04                                | 61.0          | 230.0       |

Rotation: Clockwise as seen from the label side

Airflow Outlet: Label side

\*1: Average Values in Free Air

□ = Casing Form A : Rib Type、 E : Flange Type