

12038GE for Evaporator

Refrigerator

2023/12/27

General Specifications



Motor Protection: Auto Restart

Insulation Resistance: 10M ohm or over with a DC500V Megger

Dielectric Withstand Voltage: AC700V 1s

Allowable Ambient Temperature Range : -40deg.C - +40deg.C (Operating)

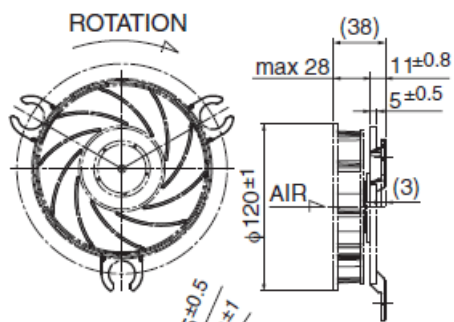
-40deg.C - +60deg.C (Storage)

non-condensing environment

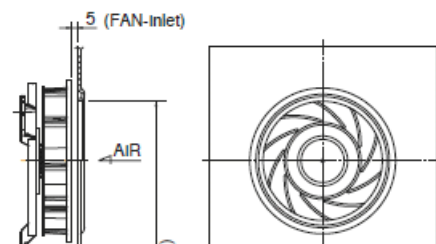
Expected Life

-20deg.C 70,000 Hours *Failure Rate 10% (L10 Life)

Outline



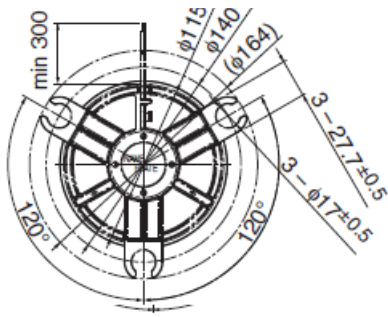
Measurement Condition*2



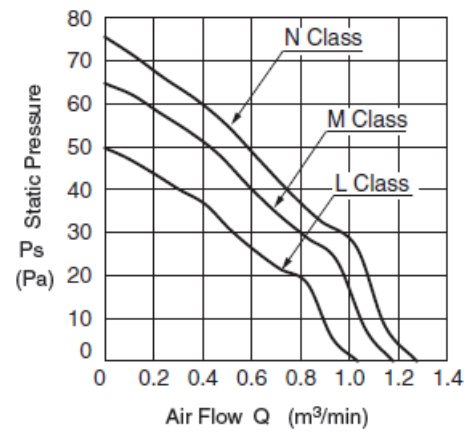
12038GE for Evaporator

Refrigerator

2023/12/27



Characteristic Curves



Material

Casing: Plastic (Black) UL94V-0

Impeller: Plastic (Black) UL94V-0

Bearing: Ball

Bearing Lead Wire: UL1007 AWG26 +: Red, -: Black

Specifications

Model	Product No	Nominal Voltage [V]	Operating Voltage lower limit [V]	Operating Voltage upper limit [V]	Current [A]	Input Power [W]
12038GE-12L-YA-D0	D0	12	7.0	13.2	0.15	1.80
12038GE-12M-YA-						

12038GE for Evaporator

Refrigerator

2023/12/27

D0	D0	12	7.0	13.2	0.21	2.52
12038GE-12N-YA-D0	D0	12	7.0	13.2	0.24	2.88

Model	Speed [min-1]	Max. Air Flow [m3/min]	Max. Air Flow [CFM]	Max. Static Pressure [Pa]	Max. Static Pressure [In H2O]	Noise [dB]	Mass [g]
12038GE-12L-YA-D0	1600	1.03	36.40	50.0	0.20	32.0	170.0
12038GE-12M-YA-D0	1830	1.18	41.70	64.0	0.26	36.0	170.0
12038GE-12N-YA-D0	1950	1.28	45.20	76.0	0.31	38.0	170.0

Rotation: Counterclockwise as seen from the label side

Airflow Outlet: Side Direction

*1: Average Values in Free Air

*2: With installation cover for measurement