

15025PA

Industrial

2023/12/27

General Specifications

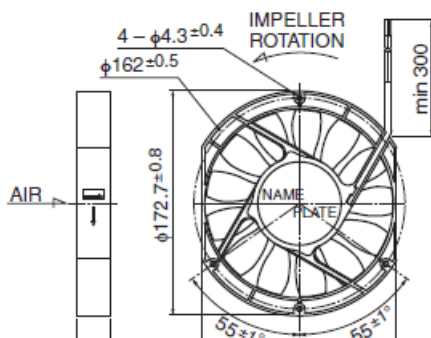


Motor Protection: Auto Restart / Polarity Protection
 Insulation Resistance: 10M ohm or over with a DC500V Megger
 Dielectric Withstand Voltage: AC700V 1s
 Allowable Ambient Temperature Range :-10deg.C - +70deg.C (Operating)
 -40deg.C - +70deg.C (Storage)
 non-condensing environment

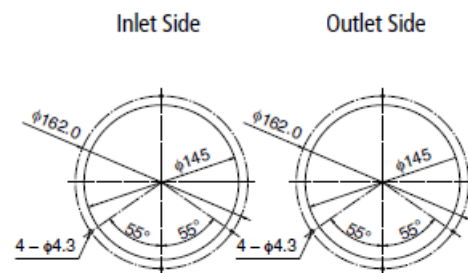
Expected Life

25deg.C 100,000 Hours *Failure Rate 10% (L10 Life)

Outline



Panel Out-cuts



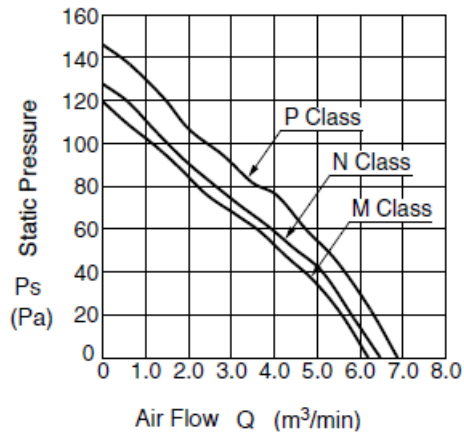
15025PA

Industrial

2023/12/27



Characteristic Curves



Material

Casing: Aluminum (Black Painting)

Impeller: Plastic (Black) UL94V-0

Bearing: Ball

Bearing Lead Wire: UL10368 AWG24 +: Red, -: Black

Specifications

Model	Product No	Nominal Voltage [V]	Operating Voltage lower limit [V]	Operating Voltage upper limit [V]	Current [A]	Input Power [W]
15025PA-24M-AA-00	00	24	18.0	26.4	0.89	21.40
15025PA-24N-AA-00	00	24	18.0	26.4	0.99	23.80

15025PA

Industrial

2023/12/27

15025PA-24P-AA-00	00	24	18.0	26.4	1.18	28.30
15025PA-48M-AA-00	00	48	38.0	52.8	0.44	21.10
15025PA-48N-AA-00	00	48	38.0	52.8	0.50	24.00
15025PA-48P-AA-00	00	48	38.0	52.8	0.59	28.30

Model	Speed [min-1]	Max. Air Flow [m3/min]	Max. Air Flow [CFM]	Max. Static Pressure [Pa]	Max. Static Pressure [In H2O]	Noise [dB]	Mass [g]
15025PA-24M-AA-00	3350	6.10	215.00	118.0	0.47	60.5	500.0
15025PA-24N-AA-00	3500	6.40	226.00	127.0	0.51	61.5	500.0
15025PA-24P-AA-00	3750	6.80	240.00	145.0	0.58	64.0	500.0
15025PA-48M-AA-00	3350	6.10	215.00	118.0	0.47	60.5	500.0
15025PA-48N-AA-00	3500	6.40	226.00	127.0	0.51	61.5	500.0
15025PA-48P-AA-00	3750	6.80	240.00	145.0	0.58	64.0	500.0

Rotation: Counterclockwise as seen from the label side

Airflow Outlet: Label side

*1: Average Values in Free Air