

# 17240JA for Condenser

Refrigerator

2023/12/27

## General Specifications



Motor Protection: Auto Restart

Insulation Resistance: 10M ohm or over with a DC500V Megger

Dielectric Withstand Voltage: AC700V 1s

Allowable Ambient Temperature Range : -10deg.C - +70deg.C (Operating)

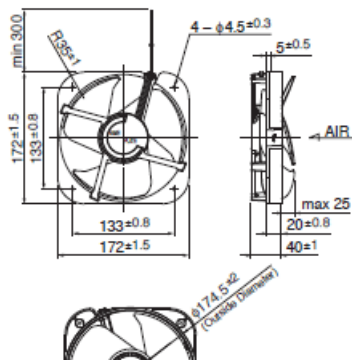
-40deg.C - +70deg.C (Storage)

non-condensing environment

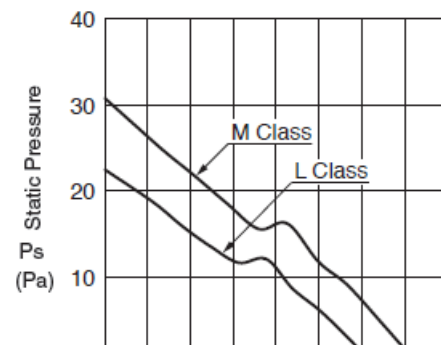
## Expected Life

25deg.C 100,000 Hours \*Failure Rate 10% (L10 Life)

## Outline



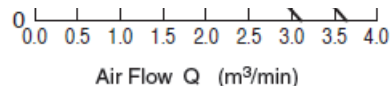
## Characteristic Curves



# 17240JA for Condenser

Refrigerator

2023/12/27



## Material

Casing: Plastic (Black) UL94V-0

Impeller: Plastic (Black) UL94V-0

Bearing: Ball

Bearing Lead Wire: UL1007 AWG24 +: Red, -: Black

## Specifications

Model	Product No	Nominal Voltage [V]	Operating Voltage lower limit [V]	Operating Voltage upper limit [V]	Current [A]	Input Power [W]
17240JA-12L-YA-00	00	12	10.0	13.2	0.11	1.32
17240JA-12M-YA-00	00	12	10.0	13.2	0.16	1.92

Model	Speed [min-1]	Max. Air Flow [m3/min]	Max. Air Flow [CFM]	Max. Static Pressure [Pa]	Max. Static Pressure [In H2O]	Noise [dB]	Mass [g]
17240JA-12L-YA-00	1350	3.10	109.50	22.4	0.09	29.5	325.0
17240JA-12M-YA-00	1550	3.63	128.20	30.7	0.12	33.5	325.0

Rotation: Clockwise as seen from the label side

Airflow Outlet: Label side

\*1: Average Values in Free Air