

17250VA

Industrial

2023/12/27

General Specifications

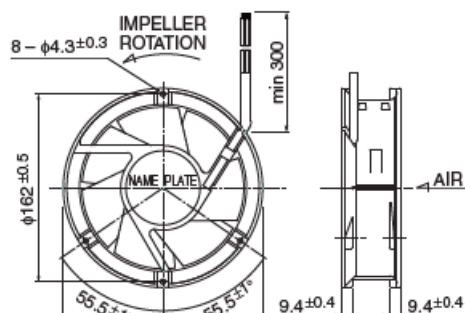


Motor Protection: Auto Restart / Polarity Protection
 Insulation Resistance: 10M ohm or over with a DC500V Megger
 Dielectric Withstand Voltage: AC700V 1s
 Allowable Ambient Temperature Range : -10deg.C - +70deg.C (Operating)
 -40deg.C - +70deg.C (Storage)
 non-condensing environment

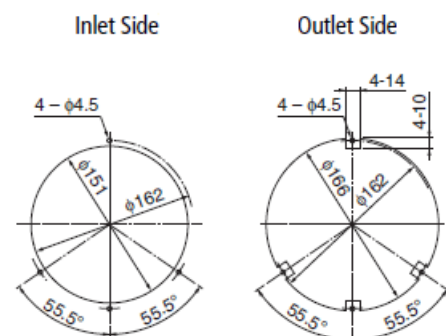
Expected Life

25deg.C 100,000 Hours *Failure Rate 10% (L10 Life)

Outline



Panel Out-cuts



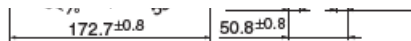
ミネベアミツミ株式会社

Copyright©MinebeaMitsumi Inc. All right reserved.

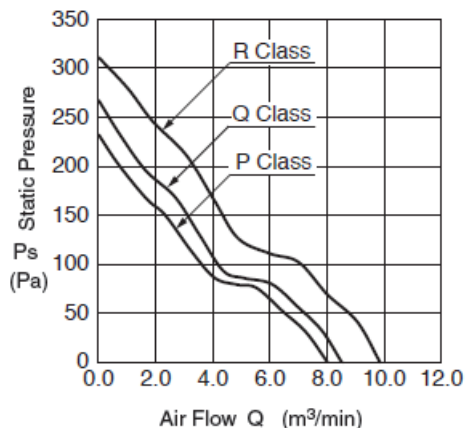
17250VA

Industrial

2023/12/27



Characteristic Curves



Material

Casing: Aluminum (Black Painting)

Impeller: Plastic (Black) UL94V-0

Bearing: Ball

Bearing Lead Wire: UL10368 AWG22 +: Red, -: Black

* Customize service for IP compatible type and Oil-proof type is available for this item.

Please contact to our sales representative for more detail.

Specifications

Model	Product No	Nominal Voltage [V]	Operating Voltage lower limit [V]	Operating Voltage upper limit [V]	Current [A]	Input Power [W]
17250VA-24P-EA-00	00	24	18.0	26.4	1.10	26.40

17250VA

Industrial

2023/12/27

17250VA-24Q-EA-00	00	24	18.0	26.4	1.30	31.20
17250VA-24R-EA-00	00	24	18.0	26.4	1.80	43.20
17250VA-48P-EA-00	00	48	38.0	52.8	0.55	26.40
17250VA-48Q-EA-00	00	48	38.0	52.8	0.65	31.20
17250VA-48R-EA-00	00	48	38.0	52.8	0.90	43.20

Model	Speed [min-1]	Max. Air Flow [m3/min]	Max. Air Flow [CFM]	Max. Static Pressure [Pa]	Max. Static Pressure [In H2O]	Noise [dB]	Mass [g]
17250VA-24P-EA-00	3750	8.00	282.00	232.0	0.93	56.0	830.0
17250VA-24Q-EA-00	4000	8.50	300.00	267.0	1.07	58.0	830.0
17250VA-24R-EA-00	4600	9.80	346.00	312.0	1.25	62.0	830.0
17250VA-48P-EA-00	3750	8.00	282.00	232.0	0.93	56.0	830.0
17250VA-48Q-EA-00	4000	8.50	300.00	267.0	1.07	58.0	830.0
17250VA-48R-EA-00	4600	9.80	346.00	312.0	1.25	62.0	830.0

Rotation: Counterclockwise as seen from the label side

Airflow Outlet: Label side

*1: Average Values in Free Air