

04520GA

2023/12/27

General Specifications

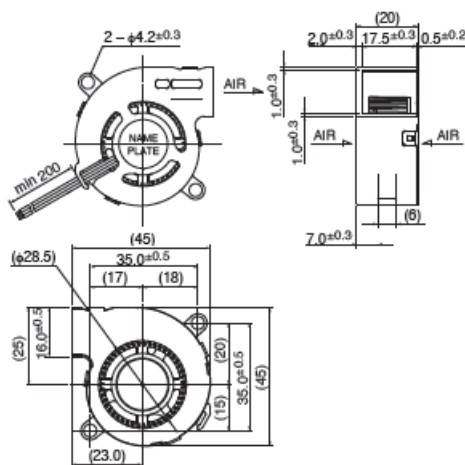


Motor Protection: Auto Restart / Polarity Protection
 Insulation Resistance: 10M ohm or over with a DC500V Megger
 Dielectric Withstand Voltage: AC700V 1s
 Allowable Ambient Temperature Range :
 -10deg.C - +70deg.C (Operating)
 -40deg.C - +70deg.C (Storage)
 non-condensing environment

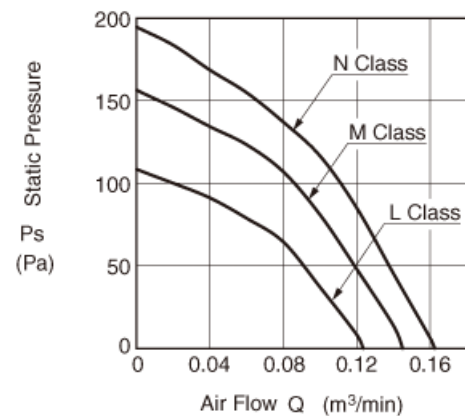
Expected Life

25deg.C 50,000 Hours *Failure Rate 10% (L10 Life)

Outline



Characteristic Curves



04520GA

2023/12/27

Material

Casing Lower:Plastic (Black) UL94V-0

Casing Upper:Steel

Impeller:Plastic (Black) UL94V-0

Bearing:Ball Bearing

Lead Wire:UL1061 AWG26 +: Red, -: Black

Specifications

Model	Product No	Nominal Voltage [V]	Operating Voltage lower limit [V]	Operating Voltage upper limit [V]	Current [A]	Input Power [W]
04520GA-12L-AA-00	00	12	6.0	13.8	0.09	1.08
04520GA-12M-AA-00	00	12	6.0	13.8	0.15	1.80
04520GA-12N-AA-00	00	12	6.0	13.8	0.17	2.04

Model	Speed [min-1]	Max. Air Flow [m3/min]	Max. Air Flow [CFM]	Max. Static Pressure [Pa]	Max. Static Pressure [In H2O]	Noise [dB]	Mass [g]
04520GA-12L-AA-00	6000	0.12	4.20	100	0.40	27.0	25
04520GA-12M-AA-00	7000	0.14	4.90	150	0.60	32.0	25
04520GA-12N-AA-00	7700	0.16	5.60	190	0.76	35.0	25

Rotation: Clockwise as seen from the label side

*1: Average Values in Free Air