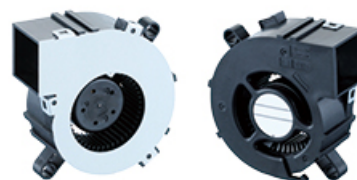


# 05020GA

2023/12/27

## General Specifications

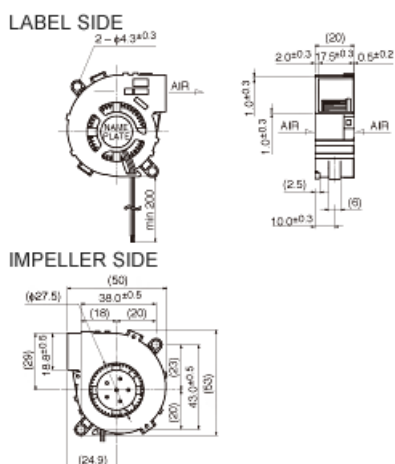


- Motor Protection: Auto Restart / Polarity Protection
- Insulation Resistance: 10M ohm or over with a DC500V Megger
- Dielectric Withstand Voltage: AC700V 1s
- Allowable Ambient Temperature Range :
- K, L Class: -10deg.C - +70deg.C (Operating)
- M Class: -10deg.C - +60deg.C (Operating)
- 40deg.C - +70deg.C (Storage)
- non-condensing environment

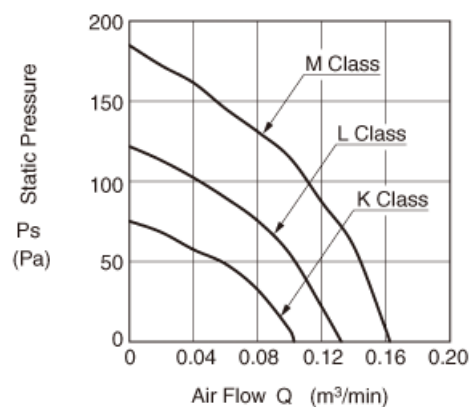
## Expected Life

25deg.C 50,000 Hours \*Failure Rate 10% (L10 Life)

## Outline



## Characteristic Curves



## 05020GA

2023/12/27

## Material

Casing Lower:Plastic (Black) UL94V-0

Casing Upper:Steel

Impeller:Plastic (Black) UL94V-0

Bearing:Ball Bearing

Lead Wire:UL1061 AWG26 +: Red, -: Black

## Specifications

Model	Product No	Nominal Voltage [V]	Operating Voltage lower limit [V]	Operating Voltage upper limit [V]	Current [A]	Input Power [W]
05020GA-12K-AA-00	00	12	4.5	13.8	0.07	0.84
05020GA-12L-AA-00	00	12	4.5	13.8	0.12	1.44
05020GA-12M-AA-00	00	12	4.5	13.8	0.18	2.16

Model	Speed [min-1]	Max. Air Flow [m3/min]	Max. Air Flow [CFM]	Max. Static Pressure [Pa]	Max. Static Pressure [In H2O]	Noise [dB]	Mass [g]
05020GA-12K-AA-00	3600	0.10	3.50	75	0.30	20.0	30
05020GA-12L-AA-00	4600	0.13	4.50	124	0.49	27.0	30
05020GA-12M-AA-00	5600	0.16	5.60	184	0.73	32.0	30

Rotation: Clockwise as seen from the label side

\*1: Average Values in Free Air