

General Specifications

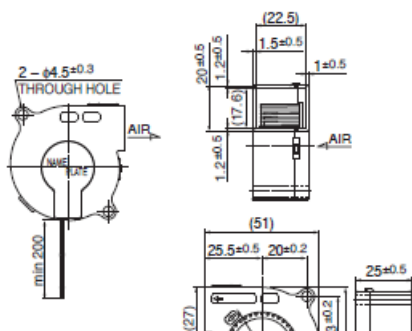


Motor Protection: Auto Restart / Polarity Protection
 Insulation Resistance: 10M ohm or over with a DC500V Megger
 Dielectric Withstand Voltage: AC700V 1s
 Allowable Ambient Temperature Range :
 -10deg.C - +70deg.C (Operating)
 -40deg.C - +70deg.C (Storage)
 non-condensing environment

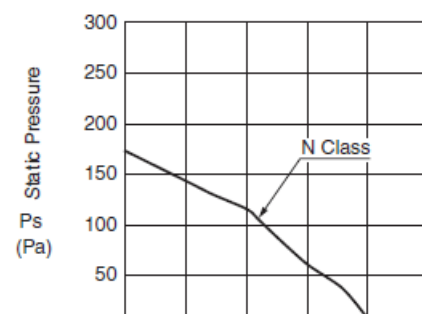
Expected Life

40deg.C 40,000 Hours *Failure Rate 10% (L10 Life)

Outline

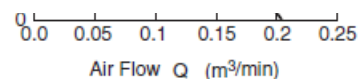
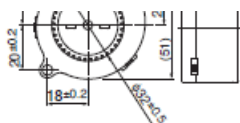


Characteristic Curves



05125GS

2023/12/27



Material

Casing Lower: Plastic (Black) UL94V-0

Impeller: Plastic (Black) UL94V-0

Bearing: Sleeve Bearing

Lead Wire: UL1061 AWG26 +: Red, -: Black

Specifications

Model	Product No	Nominal Voltage [V]	Operating Voltage lower limit [V]	Operating Voltage upper limit [V]	Current [A]	Input Power [W]
05125GS-12N-AAD-00	00	12	6.0	13.8	0.20	2.40
05125GS-24N-AAD-00	00	24	10.0	27.6	0.15	3.60

Model	Speed [min-1]	Max. Air Flow [m3/min]	Max. Air Flow [CFM]	Max. Static Pressure [Pa]	Max. Static Pressure [In H2O]	Noise [dB]	Mass [g]
05125GS-12N-AAD-00	5700	0.20	7.10	170	0.68	39.0	35
05125GS-24N-AAD-00	5700	0.20	7.10	170	0.68	39.0	35

Rotation: Clockwise as seen from the label side

Airflow Outlet: Label side

*1: Average Values in Free Air