

General Specifications

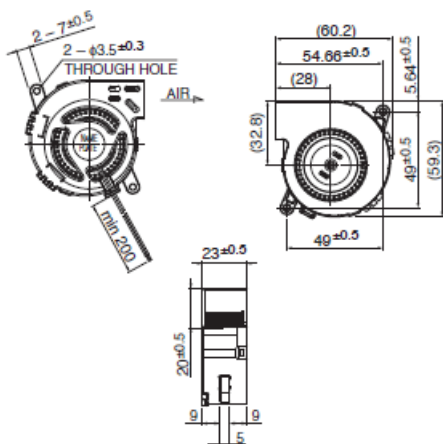


Motor Protection: Auto Restart / Polarity Protection
Insulation Resistance: 10M ohm or over with a DC500V Megger
Dielectric Withstand Voltage: AC700V 1s
Allowable Ambient Temperature Range :
-10deg.C - +60deg.C (Operating)
-40deg.C - +70deg.C (Storage)
non-condensing environment

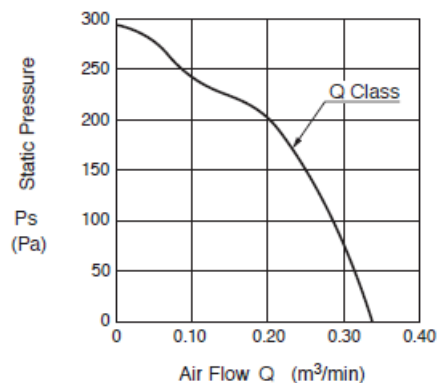
Expected Life

60deg.C 20,000 Hours *Failure Rate 10% (L10 Life)

Outline



Characteristic Curves



06023GS(Three Phase)

2023/12/27

Material

Casing:Plastic (Black) UL94V-0

Impeller:Plastic (Black) UL94V-0

Bearing:Sleeve Bearing

Lead Wire:UL1061 AWG26 +: Red, -: Black

Specifications

Model	Product No	Nominal Voltage [V]	Operating Voltage lower limit [V]	Operating Voltage upper limit [V]	Current [A]	Input Power [W]
06023GS-12Q-AE-00	00	12	7.0	12.6	0.32	3.84

Model	Speed [min-1]	Max. Air Flow [m3/min]	Max. Air Flow [CFM]	Max. Static Pressure [Pa]	Max. Static Pressure [In H2O]	Noise [dB]	Mass [g]
06023GS-12Q-AE-00	6000	0.34	11.90	294	1.17	43.5	52

Rotation: Clockwise as seen from the label side

*1: Average Values in Free Air