

06920GA

2023/12/27

General Specifications

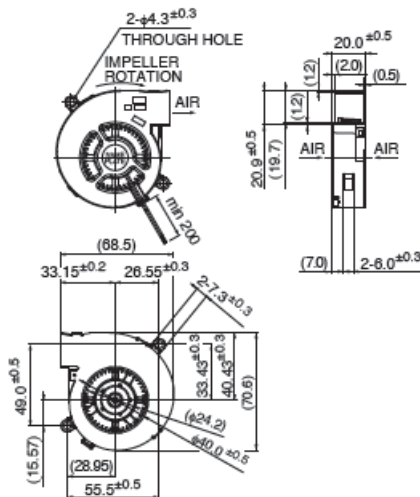


- Motor Protection: Auto Restart / Polarity Protection
- Insulation Resistance: 10M ohm or over with a DC500V Megger
- Dielectric Withstand Voltage: AC700V 1s
- Allowable Ambient Temperature Range :
 - 10deg.C - +70deg.C (Operating)
 - 40deg.C - +70deg.C (Storage)
- non-condensing environment

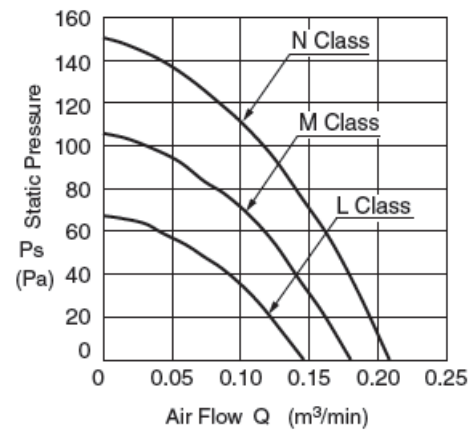
Expected Life

25deg.C 70,000 Hours *Failure Rate 10% (L10 Life)

Outline



Characteristic Curves



06920GA

2023/12/27

Material

Casing Lower:Plastic (Black) UL94V-0

Casing Upper:Steel

Impeller:Plastic (Black) UL94V-0

Bearing:Ball Bearing

Lead Wire:UL1061 AWG26 +: Red, -: Black

Specifications

Model	Product No	Nominal Voltage [V]	Operating Voltage lower limit [V]	Operating Voltage upper limit [V]	Current [A]	Input Power [W]
06920GA-12L-AA-00	00	12	6.0	13.8	0.09	1.08
06920GA-12M-AA-00	00	12	6.0	13.8	0.15	1.80
06920GA-12N-AA-00	00	12	6.0	13.8	0.25	3.00
06920GA-24L-AA-00	00	24	12.0	26.4	0.05	1.20
06920GA-24M-AA-00	00	24	12.0	26.4	0.08	1.92
06920GA-24N-AA-00	00	24	12.0	26.4	0.13	3.12

Model	Speed [min-1]	Max. Air Flow [m3/min]	Max. Air Flow [CFM]	Max. Static Pressure [Pa]	Max. Static Pressure [In H2O]	Noise [dB]	Mass [g]
06920GA-12L-AA-00	2900	0.14	4.90	66	0.26	23.0	55
06920GA-12M-AA-00	3500	0.17	6.00	100	0.40	29.0	55
06920GA-12N-AA-00	4100	0.20	7.10	150	0.60	33.0	55
06920GA-24L-							

06920GA

2023/12/27

AA-00	2900	0.14	4.90	64	0.26	23.0	55
06920GA-24M- AA-00	3500	0.17	6.00	100	0.40	29.0	55
06920GA-24N- AA-00	4100	0.20	7.10	150	0.60	33.0	55

Rotation: Clockwise as seen from the label side

*1: Average Values in Free Air