

General Specifications



Motor Protection: Auto Restart / Polarity Protection

Insulation Resistance: 10M ohm or over with a DC500V Megger

Dielectric Withstand Voltage: AC700V 1s

Allowable Ambient Temperature Range :

-10deg.C - +70deg.C (Operating)

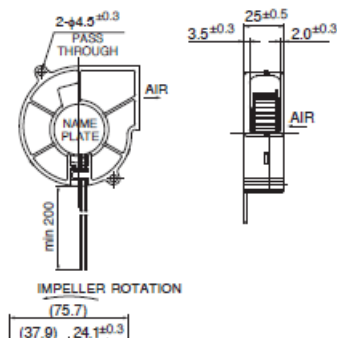
-40deg.C - +70deg.C (Storage)

non-condensing environment

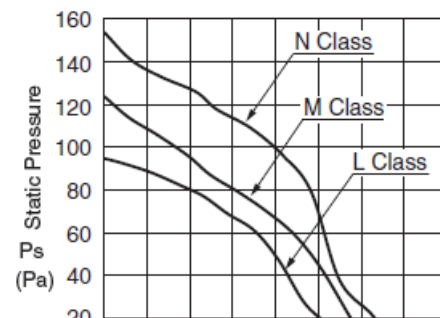
Expected Life

25deg.C 70,000 Hours *Failure Rate 10% (L10 Life)

Outline

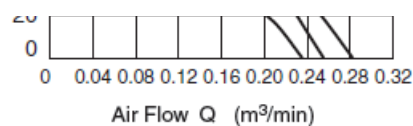
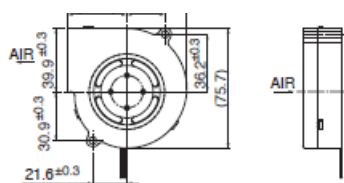


Characteristic Curves



07525GA

2023/12/27



Material

Casing: Plastic (Black) UL94V-0

Impeller: Plastic (Black) UL94V-0

Bearing: Ball Bearing

Lead Wire: UL1007 AWG26 +: Red, -: Black

Specifications

Model	Product No	Nominal Voltage [V]	Operating Voltage lower limit [V]	Operating Voltage upper limit [V]	Current [A]	Input Power [W]
07525GA-12L-AA-00	00	12	6.0	13.8	0.16	1.92
07525GA-12M-AA-00	00	12	6.0	13.8	0.19	2.28
07525GA-12N-AA-00	00	12	6.0	13.8	0.25	3.00
07525GA-24L-AA-00	00	24	10.0	27.6	0.10	2.40
07525GA-24M-AA-00	00	24	10.0	27.6	0.11	2.64
07525GA-24N-AA-00	00	24	10.0	27.6	0.14	3.36

Model	Speed [min-1]	Max. Air Flow [m3/min]	Max. Air Flow [CFM]	Max. Static Pressure [Pa]	Max. Static Pressure [In H2O]	Noise [dB]	Mass [g]
07525GA-12L-AA-00	3000	0.22	7.80	94	0.38	39.0	90
07525GA-12M-							

07525GA

2023/12/27

07525GA-12N- AA-00	3300	0.24	8.50	124	0.50	41.0	90
07525GA-12N- AA-00	3600	0.27	9.50	153	0.61	43.0	90
07525GA-24L- AA-00	3000	0.22	7.80	94	0.38	39.0	90
07525GA-24M- AA-00	3300	0.24	8.50	124	0.50	41.0	90
07525GA-24N- AA-00	3600	0.27	9.50	153	0.61	43.0	90

Rotation: Clockwise as seen from the label side

*1: Average Values in Free Air