

General Specifications

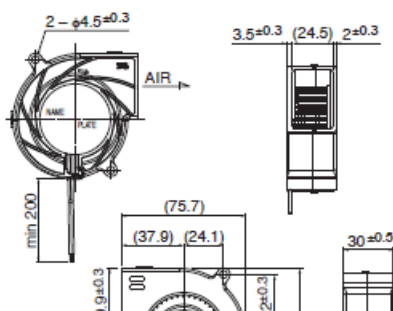


Motor Protection: Auto Restart / Polarity Protection
 Insulation Resistance: 10M ohm or over with a DC500V Megger
 Dielectric Withstand Voltage: AC700V 1s
 Allowable Ambient Temperature Range :
 -10deg.C - +70deg.C (Operating)
 -40deg.C - +70deg.C (Storage)
 non-condensing environment

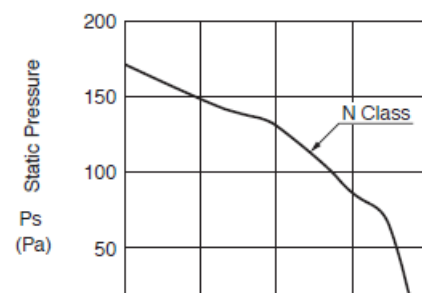
Expected Life

40deg.C 50,000 Hours *Failure Rate 10% (L10 Life)

Outline

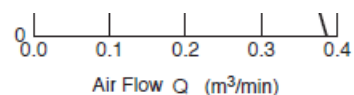
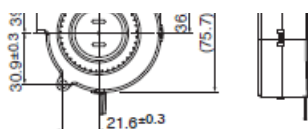


Characteristic Curves



07530GS

2023/12/27



Material

Casing: Plastic (Black) UL94V-0

Impeller: Plastic (Black) UL94V-0

Bearing: Sleeve Bearing

Lead Wire: UL1007 AWG26 +: Red, -: Black

Specifications

Model	Product No	Nominal Voltage [V]	Operating Voltage lower limit [V]	Operating Voltage upper limit [V]	Current [A]	Input Power [W]
07530GS-12N-AAD-00	00	12	6.0	13.0	0.33	3.96
07530GS-24N-AAD-00	00	24	10.0	27.8	0.16	3.84

Model	Speed [min-1]	Max. Air Flow [m3/min]	Max. Air Flow [CFM]	Max. Static Pressure [Pa]	Max. Static Pressure [In H2O]	Noise [dB]	Mass [g]
07530GS-12N-AAD-00	3650	0.39	13.70	170	0.68	43.5	90
07530GS-24N-AAD-00	3650	0.39	13.70	170	0.68	43.5	90

Rotation: Clockwise as seen from the label side

*1: Average Values in Free Air