

General Specifications



Motor Protection: Auto Restart

Insulation Resistance: 10M ohm or over with a DC500V Megger

Dielectric Withstand Voltage: AC700V 1s

Allowable Ambient Temperature Range :

-10deg.C - +60deg.C (Operating)

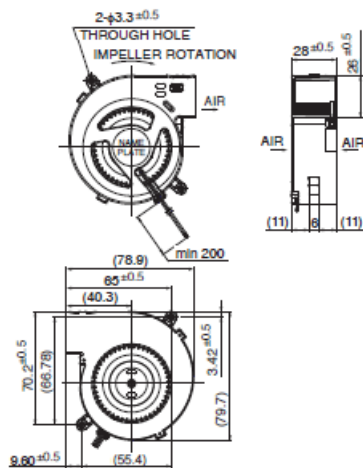
-40deg.C - +70deg.C (Storage)

non-condensing environment

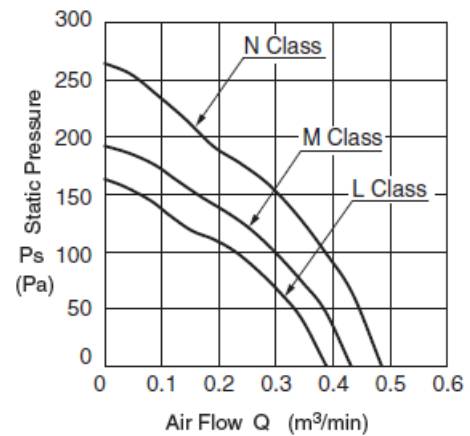
Expected Life

60deg.C 20,000 Hours *Failure Rate 10% (L10 Life)

Outline



Characteristic Curves



08028GS

2023/12/27

Material

Casing Lower:Plastic (Black) UL94V-0

Casing Upper:Steel

Impeller:Plastic (Black) UL94V-0

Bearing:Sleeve Bearing

Lead Wire:UL1061 AWG26 +: Red, -: Black

Specifications

Model	Product No	Nominal Voltage [V]	Operating Voltage lower limit [V]	Operating Voltage upper limit [V]	Current [A]	Input Power [W]
08028GS-12L-AA-00	00	12	6.0	13.8	0.18	2.16
08028GS-12M-AA-00	00	12	6.0	13.8	0.25	3.00
08028GS-12N-AA-00	00	12	6.0	13.5	0.36	4.32

Model	Speed [min-1]	Max. Air Flow [m3/min]	Max. Air Flow [CFM]	Max. Static Pressure [Pa]	Max. Static Pressure [In H2O]	Noise [dB]	Mass [g]
08028GS-12L-AA-00	2950	0.38	13.40	164	0.66	34.0	77
08028GS-12M-AA-00	3300	0.43	15.20	190	0.76	37.0	77
08028GS-12N-AA-00	3650	0.48	16.90	266	1.06	40.0	77

Rotation: Clockwise as seen from the label side

*1: Average Values in Free Air