

14539GA

2023/12/27

General Specifications

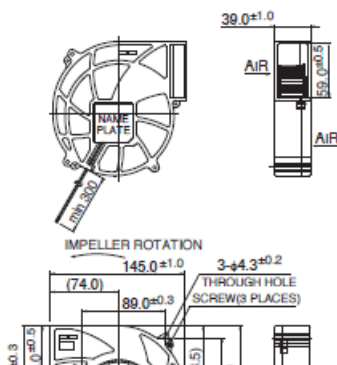


Motor Protection: Auto Restart / Polarity Protection
 Insulation Resistance: 10M ohm or over with a DC500V Megger
 Dielectric Withstand Voltage: AC700V 1s
 Allowable Ambient Temperature Range :
 -10deg.C - +60deg.C (Operating)
 -40deg.C - +70deg.C (Storage)
 non-condensing environment

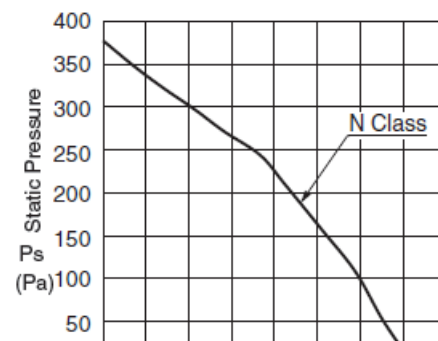
Expected Life

25deg.C 100,000 Hours *Failure Rate 10% (L10 Life)

Outline

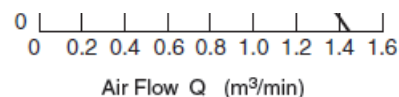
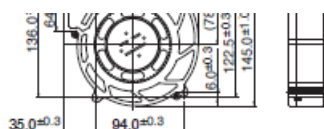


Characteristic Curves



14539GA

2023/12/27



Material

Casing: Plastic (Black) UL94V-0

Impeller: Plastic (Black) UL94V-0

Bearing: Ball Bearing

Lead Wire: UL1007 AWG24 +: Red, -: Black

Specifications

Model	Product No	Nominal Voltage [V]	Operating Voltage lower limit [V]	Operating Voltage upper limit [V]	Current [A]	Input Power [W]
14539GA-12N-AA-00	00	12	8.0	13.2	1.25	15.00

Model	Speed [min-1]	Max. Air Flow [m3/min]	Max. Air Flow [CFM]	Max. Static Pressure [Pa]	Max. Static Pressure [In H2O]	Noise [dB]	Mass [g]
14539GA-12N-AA-00	2450	1.45	51.20	385	1.55	54.5	390

Rotation: Clockwise as seen from the label side

*1: Average Values in Free Air