

F175H Series

2023/12/27

General Specifications



Motor Protection: Locked rotor, Reverse polarity

Insulation Resistance: 10M Ohm min, measured with 500V DC between all leads shorted together and case

Dielectric Withstand Voltage: AC500V 1minute

Allowable Ambient Temperature Range:

-30 deg.C - +70 deg.C (Operating)

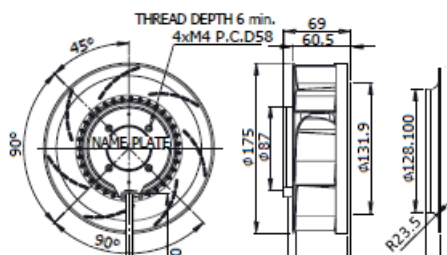
-40 deg.C - +80 deg.C (Storage)

non-condensing environment

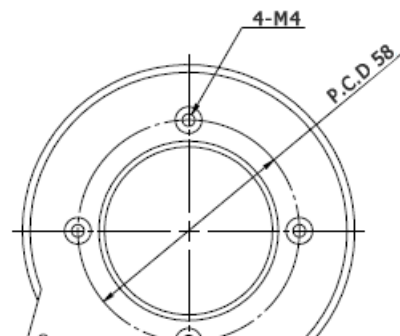
Expected Life

40 deg.C 70,000hours (L10)

Outline



Panel Out-cuts

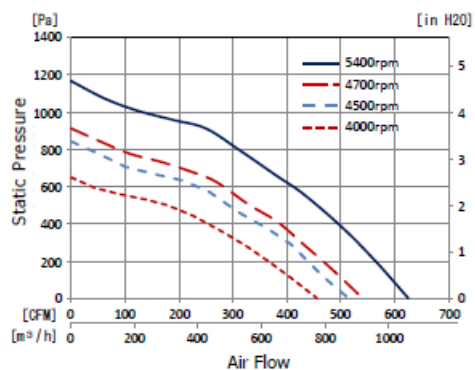


F175H Series

2023/12/27



Characteristic Curves



Material

Impeller: Plastic

Bearing: Ball Bearings

Lead Wire: UL1430 AWG18 +: Red -: Black

Speed Control: Yellow

Speed Signal: White

Specifications

Model	Nominal Voltage [V]	Operating Voltage lower limit [V]	Operating Voltage upper limit [V]	Nominal Current [A]	Input Power [W]	Speed [rpm]
F175H1-061-D0750	48	36	72	3.8	182.4	5400
F175H2-061-D0740	48	36	72	2.3	110.4	4500
F175H3-061-						

F175H Series

2023/12/27

F175H1-061-D0540	24	18	30	4.7	112.8	4700
F175H4-061-D0540	24	18	30	3.0	72.0	4000

Model	Maximum airflow [m3/min]	Max. Air Flow [CFM]	Max. Static Pressure [Pa]	Max. Static Pressure [In H2O]	Noise [dB]	Mass [g]
F175H1-061-D0750	17.7	625	1167	4.7	78	900
F175H2-061-D0740	14.6	514	843	3.4	73	900
F175H3-061-D0540	15.3	541	913	3.7	74	900
F175H4-061-D0540	12.9	455	651	2.6	71	900

*1 Average values in free air and rated voltage condition.