

F220C Series

Maintenance Products

2023/12/27

General Specifications



Motor Protection: Locked rotor, Reverse polarity

Insulation Resistance: 10M Ohm min, measured with 500V DC between all leads shorted together and case

Dielectric Withstand Voltage: AC500V 1minute

Allowable Ambient Temperature Range:

-30 deg.C - +70 deg.C (Operating)

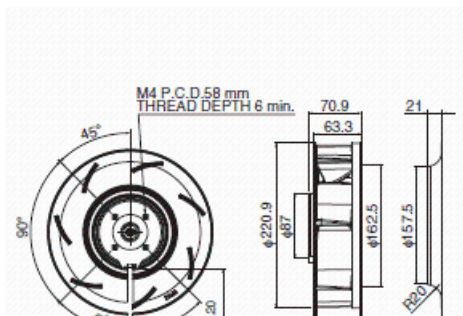
-40 deg.C - +80 deg.C (Storage)

non-condensing environment

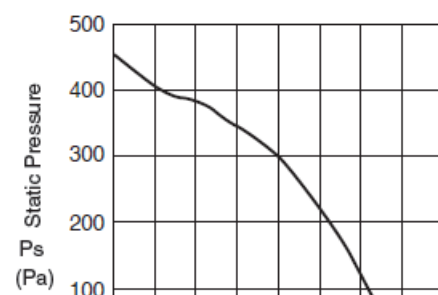
Expected Life

40deg.C 70,000 Hours *Failure Rate 10% (L10 Life)

Outline



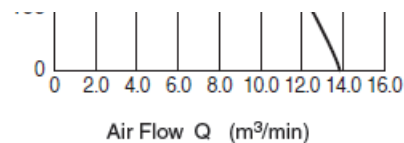
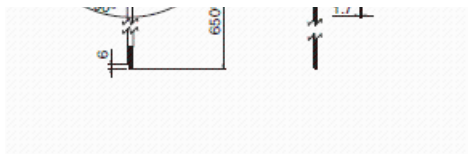
Characteristic Curves



F220C Series

Maintenance Products

2023/12/27



Material

Impeller: Plastic

Bearing: Ball Bearings

Lead Wire: UL1430 AWG18 +: Red -: Black

Speed Control: Yellow

Speed Signal: White

IP Compatible Type

* IP compatible type is available for this item.

Specifications

Model	Nominal Voltage [V]	Operating Voltage lower limit [V]	Operating Voltage upper limit [V]	Nominal Current [A]	Input Power [W]	Speed [rpm]
F220C1-063-D0720	48	36	72	1.0	48.0	2700

Model	Maximum airflow [m ³ /min]	Max. Air Flow [CFM]	Max. Static Pressure [Pa]	Max. Static Pressure [In H ₂ O]	Noise [dB]	Mass [g]
F220C1-063-D0720	14.0	497	455	1.8	66	1250

*1 Average values in free air and rated voltage condition.