

F225C Series

2023/12/27

General Specifications



Motor Protection: Locked rotor, Reverse polarity

Insulation Resistance: 10M Ohm min, measured with 500V DC between all leads shorted together and case

Dielectric Withstand Voltage: AC500V 1minute

Allowable Ambient Temperature Range:

-30 deg.C - +70 deg.C (Operating)

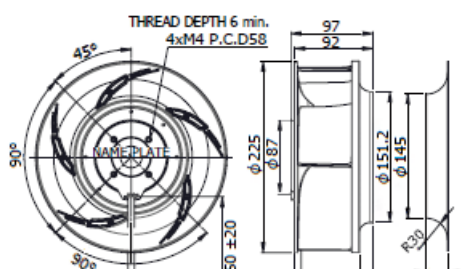
-40 deg.C - +80 deg.C (Storage)

non-condensing environment

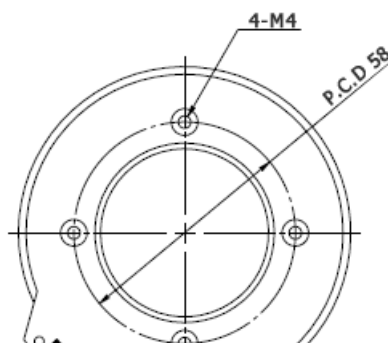
Expected Life

40 deg.C 70,000hours (L10)

Outline



Panel Out-cuts

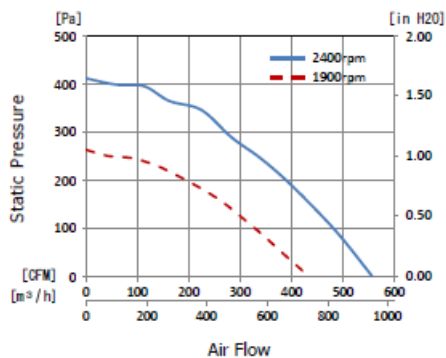


F225C Series

2023/12/27



Characteristic Curves



Material

- Impeller: Plastic
- Bearing: Ball Bearings
- Lead Wire: UL1430 AWG18 +: Red - : Black
- Speed Control: Yellow
- Speed Signal: White

IP Compatible Type

* IP compatible type is available for this item.

Specifications

| | Nominal | Operating Voltage | Operating Voltage | Nominal | Input | Speed |
|--|---------|-------------------|-------------------|---------|-------|-------|
| | | | | | | |

F225C Series

2023/12/27

| Model | Voltage [V] | Voltage lower limit [V] | Voltage upper limit [V] | Current [A] | Power [W] | Speed [rpm] |
|------------------|-------------|-------------------------|-------------------------|-------------|-----------|-------------|
| F225C1-092-D0720 | 48 | 36 | 72 | 1.1 | 52.8 | 2400 |
| F225C2-092-D0710 | 48 | 36 | 72 | 0.6 | 28.8 | 1900 |

| Model | Maximum airflow [m ³ /min] | Max. Air Flow [CFM] | Max. Static Pressure [Pa] | Max. Static Pressure [In H ₂ O] | Noise [dB] | Mass [g] |
|------------------|---------------------------------------|---------------------|---------------------------|--|------------|----------|
| F225C1-092-D0720 | 15.7 | 555 | 410 | 1.6 | 66 | 1350 |
| F225C2-092-D0710 | 12.3 | 433 | 262 | 1.0 | 58 | 1350 |

*1 Average values in free air and rated voltage condition.