

R172A Series

Maintenance Products

2023/12/27

General Specifications



Motor Protection: Locked rotor, Reverse polarity

Insulation Resistance: 10M Ohm min, measured with 500V DC between all leads shorted together and case

Dielectric Withstand Voltage: AC500V 1minute Allowable Ambient Temperature Range:

-30 deg.C - +70 deg.C (Operating)

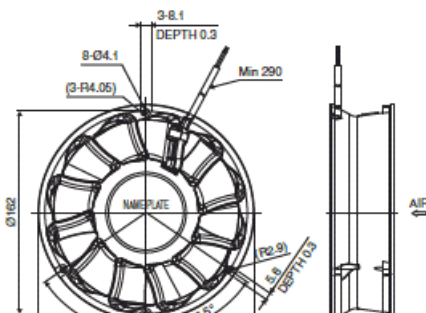
-40 deg.C - +80 deg.C (Storage)

non-condensing environment

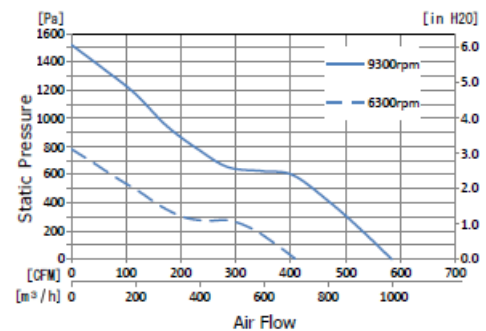
Expected Life

40 deg.C 70,000hours (L10)

Outline



Characteristic Curves



R172A Series

Maintenance Products

2023/12/27



Material

Casing: Aluminum

Impeller: Plastic

Bearing: Ball

BearingsLead Wire: UL3266 AWG22 +: Red-: BlackSpeed Control: YellowSpeed Signal: White

Specifications

| Model | Nominal Voltage [V] | Operating Voltage lower limit [V] | Operating Voltage upper limit [V] | Nominal Current [A] | Input Power [W] | Speed [rpm] |
|------------------|---------------------|-----------------------------------|-----------------------------------|---------------------|-----------------|-------------|
| R172A0-051-D0790 | 48 | 30 | 72 | 4.2 | 201.6 | 9300 |
| R172A5-051-D0760 | 48 | 30 | 72 | 1.5 | 72.0 | 6300 |
| R172A8-051-D0590 | 24 | 18 | 30 | 8.6 | 206.4 | 9300 |
| R172A9-051-D0560 | 24 | 18 | 30 | 2.8 | 67.2 | 6300 |

| Model | Maximum airflow [m3/min] | Max. Air Flow [CFM] | Max. Static Pressure [Pa] | Max. Static Pressure [In H2O] | Noise [dB] | Mass [g] |
|------------------|--------------------------|---------------------|---------------------------|-------------------------------|------------|----------|
| R172A0-051-D0790 | 16.6 | 585 | 1524 | 6.1 | 82 | 1050 |
| R172A5-051-D0760 | 11.6 | 410 | 782 | 3.1 | 74 | 1050 |
| R172A8-051-D0590 | 16.6 | 585 | 1524 | 6.1 | 82 | 1050 |
| R172A9-051-D0560 | 11.6 | 410 | 782 | 3.1 | 74 | 1050 |

