

# R172H Series

2023/12/27

## General Specifications



Motor Protection: Locked rotor, Reverse polarity

Insulation Resistance: 10M Ohm min, measured with 500V DC between all leads shorted together and case

Dielectric Withstand Voltage: AC500V 1minute Allowable Ambient Temperature Range:

-30 deg.C - +70 deg.C (Operating)

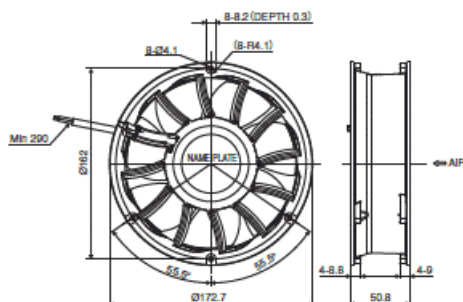
-40 deg.C - +80 deg.C (Storage)

non-condensing environment

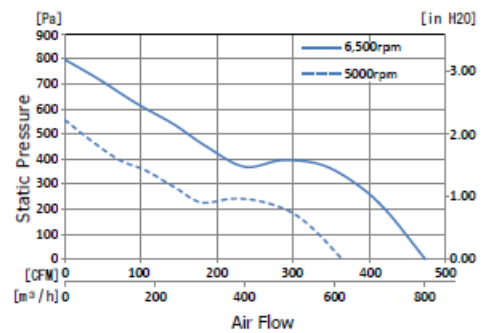
## Expected Life

40 deg.C 70,000hours (L10)

## Outline



## Characteristic Curves



## R172H Series

2023/12/27

## Material

Casing: Aluminum

Impeller: Plastic

Bearing: Ball

BearingsLead Wire: UL3266 AWG20 +: Red-: BlackSpeed Control: YellowSpeed Signal: White

\* IP compatible type is available for this item.

## Specifications

Model	Nominal Voltage [V]	Operating Voltage lower limit [V]	Operating Voltage upper limit [V]	Nominal Current [A]	Input Power [W]	Speed [rpm]
R172H1-051-D0760	48	43.2	52.8	2.1	100.8	6500
R172H2-051-D0750	48	43.2	52.8	1.0	48.0	5000
R172H3-051-D0560	24	21.6	26.4	4.0	96.0	6500
R172H4-051-D0550	24	21.6	26.4	2.0	48.0	5000

Model	Maximum airflow [m3/min]	Max. Air Flow [CFM]	Max. Static Pressure [Pa]	Max. Static Pressure [In H2O]	Noise [dB]	Mass [g]
R172H1-051-D0760	13.4	473	798	3.2	73	850
R172H2-051-D0750	10.3	364	557	2.2	66	850
R172H3-051-D0560	13.4	473	798	3.2	73	850
R172H4-051-D0550	10.3	364	557	2.2	66	850

## R172H Series

2023/12/27

*1 Average values in free air and rated voltage condition.					
--	--	--	--	--	--