

R200A Series

2023/12/27

General Specifications



Motor Protection: Locked rotor, Reverse polarity

Insulation Resistance: 10M Ohm min, measured with 500V DC between all leads shorted together and case

Dielectric Withstand Voltage: AC500V 1minute Allowable Ambient Temperature Range:

-30 deg.C - +70 deg.C (Operating)

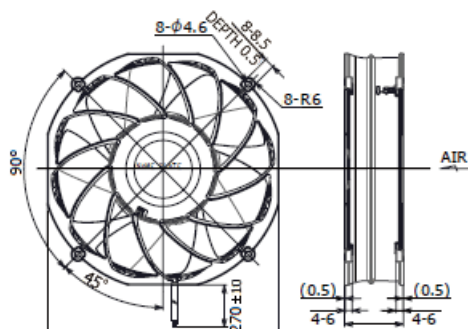
-40 deg.C - +80 deg.C (Storage)

non-condensing environment

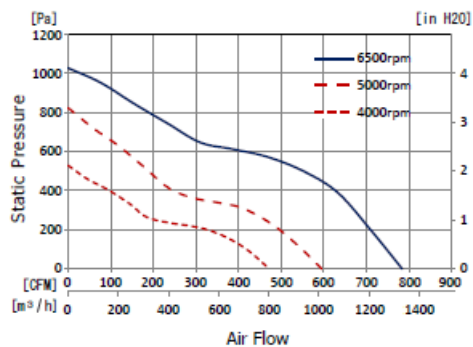
Expected Life

40 deg.C 70,000hours (L10)

Outline



Characteristic Curves



R200A Series

2023/12/27



Material

Casing: Aluminum

Impeller: Plastic

Bearing: Ball

BearingsLead Wire: UL3266 +: Red (AWG20)–: Black (AWG20)Speed Control: Yellow (AWG22)Speed

Signal: White (AWG22)

Specifications

Model	Nominal Voltage [V]	Operating Voltage lower limit [V]	Operating Voltage upper limit [V]	Nominal Current [A]	Input Power [W]	Speed [rpm]
R200A0-051-D0760	48	30	72	2.9	139.2	6500
R200A1-051-D0750	48	30	72	1.3	62.4	5000
R200A4-051-D0550	24	18	30	2.8	67.2	5000
R200A5-051-D0540	24	18	30	1.5	36.0	4000

Model	Maximum airflow [m3/min]	Max. Air Flow [CFM]	Max. Static Pressure [Pa]	Max. Static Pressure [In H2O]	Noise [dB]	Mass [g]
R200A0-051-D0760	22.2	783	1028	4.1	74	1200
R200A1-051-D0750	16.7	590	828	3.3	67	1200
R200A4-051-D0550	16.7	590	828	3.3	67	1200
R200A5-051-D0540	13.4	472	529	2.1	61	1200

