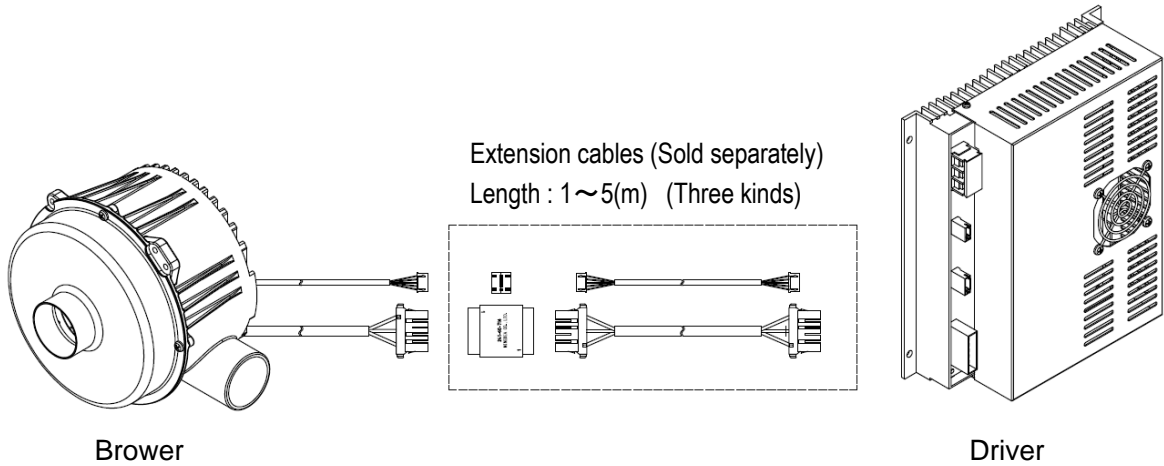


## Extension cables for 60DCF Series

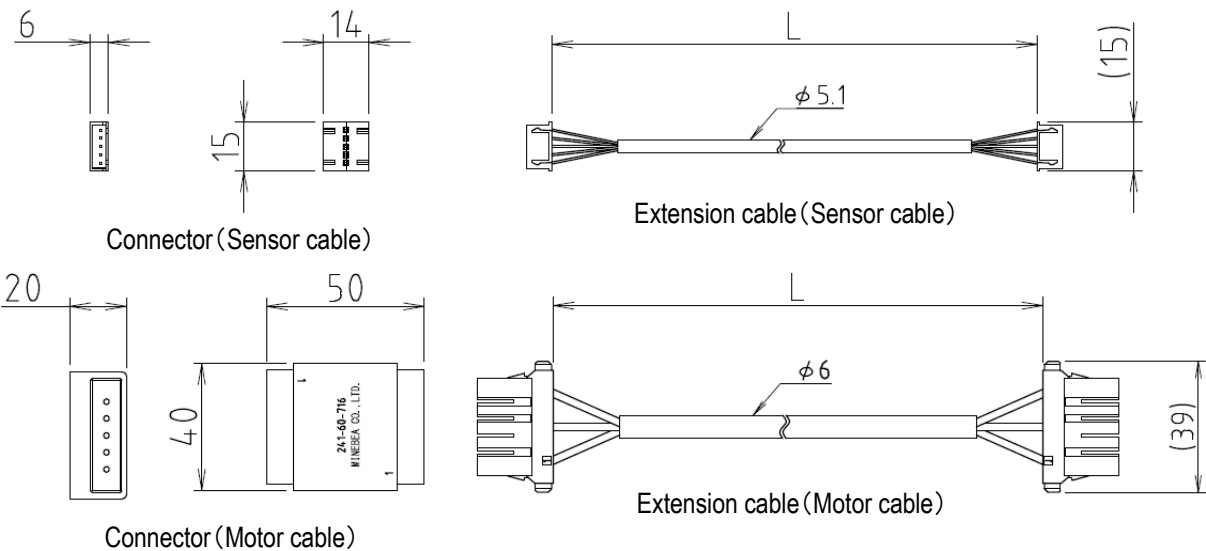
As for 60DCF series, the connection length between blower and driver is 0.4[m] as a standard. If you want to extend between the blower and driver, please use the Extension cables (Sold separately). Extension cables are the following composition.(motor cable, sensor cable, connector for sensor cable, connector for motor cable)



### • Extension cables

Part Number	Length L (m)
241-60-725-01	1
241-60-725-02	3
241-60-725-03	5

### ◇ Dimensions (Unit = mm)



※Read and observe the instruction manual without fail for proper usage of the products.