

Prefilter for 70DCF Series

By using this filter, 70DCF series high-pressure blower can be protected from grit and dust, etc.
It can be attached directly into inlet of the high pressure blower.

•Characteristics

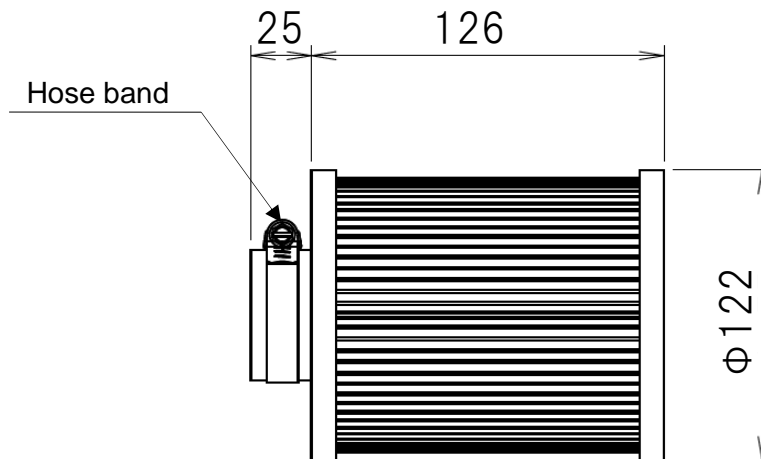
Compact size : Less than blower diameter

Low pressure drop

•Specifications

Part Number	Efficiency	Pressure Drop (kPa)	Weight (kg)
781-70-702	80% @ 5 μ m	1max	0.4 max

◇Dimensions (Unit = mm)



Prefilter(781-70-702)

※Read and observe the instruction manual without fail for proper usage of the products.