

Connection example input circuit

Shows the circuit example of the signal input of the driver.

Do not start/stop blower using the breaker or the electromagnetic switch of the AC power supply.

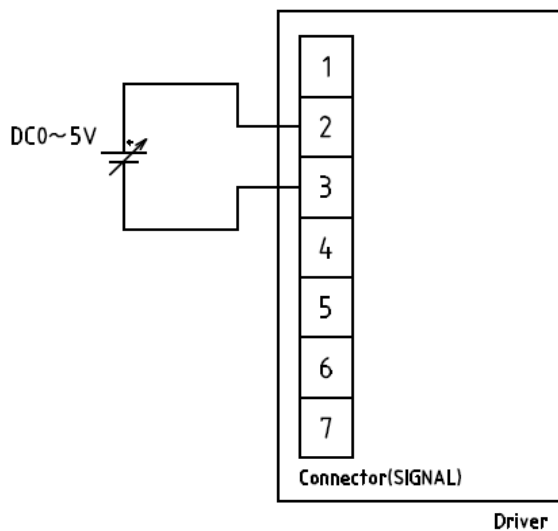
Always precede start/stop with a Speed control input signal.

① Use external power supply

重要

The maximum DC voltage for an external input is 5V.

Use of a voltage higher than the maximum DC voltage may damage the circuit or make it malfunction.



② Use connector of driver

Variable resistor value is recommended 10kΩ.

Pin 1 1kΩ pull-up to 6V in the internal circuitry.

Pin 2 100kΩ pull-down in the internal circuitry.

