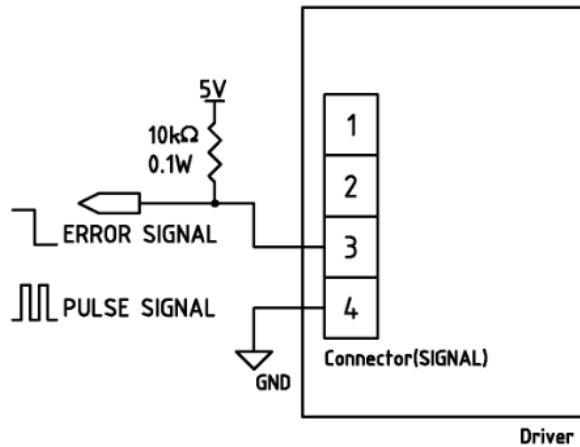


Output signal line connection example

1 Speed pulse signal and Error signal

For open collector output, use the pull-up.

Precautions As the allowable voltage is 15 V and the allowable current is 10 mA, be mindful of the pull-up voltage and resistance. Use of an allowable voltage and current higher than the allowable ranges may damage the circuit or make it malfunction.



2 Separation example of the speed pulse signal and the error signal

Precautions When detected only error signal, please prepare the following timer circuit to separate the speed pulse signal. This is only an example circuit and in no way does it guarantee operation. After you have inspected the circuit to your satisfaction, use it at your own risk.

