

Prefilter for 60DCF Series

By using this filter, 60DCF series high-pressure blower can be protected from grit and dust, etc.
It can be attached directly into inlet of the high pressure blower.

• Characteristics

Compact size : Less than blower diameter

Low pressure drop

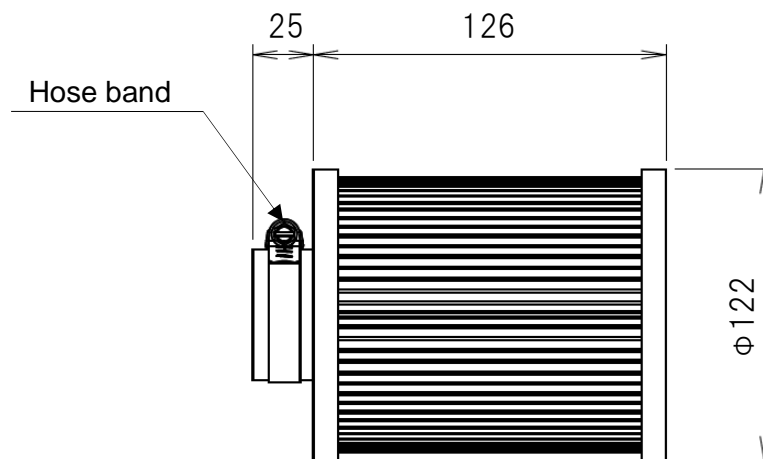
Common design : This filter can be used for the following blowers.

60DCF-485 (1200W), 60DCF-486 (800W), 60DCF-487 (600W)

• Specifications

Part Number	Efficiency	Pressure Drop (kPa)	Weight (kg)
781-60-727	80% @ 5 μ m	1max	0.4 max

◇ Dimensions (Unit = mm)



Prefilter (781-60-727)

※Read and observe the instruction manual without fail for proper usage of the products.