

【High-pressure Blower】 Front row: 60DCF model Back row: 70DCF



【Option】 Prefilter



【Option】 Extension Cables for 60DCF Series

《 Specifications · Characteristics 》

■ Performance

Set model	Blower model ※1	Driver model ※1	Input power [W]	Rated voltage [AC V]	Voltage range [AC V]	Reference values		Maximum airflow [m ³ /min]	Maximum static pressure [kPa]	Maximum weight [kg]
						Current [AC A]	Rotation speed [min ⁻¹]			
60DCF-485 ※3	123-60-731	MDS-01AL001-04	1200	200	180~264	6	18500	4	19	Blower : 3.0 Driver : 3.5
60DCF-485-01 ※2※3		MDS-01AL001-05								
60DCF-486 ※3	123-60-732	MDS-01AL001-04	800	100	90~264	4	17000	5.5	9.5	
60DCF-486-01 ※2※3		MDS-01AL001-05								
60DCF-487 ※3	123-60-733	MDS-01AL001-04	600	100	90~264	6	14000	3	11	
60DCF-487-01 ※2※3		MDS-01AL001-05								
70DCF-373 ※3※4※5	122-70-709	MDS-01AL003-02	2000	200	180~264	10	18000	5	28	Blower : 9.0 Driver : 4.0
70DCF-374 ※3※4※6	122-70-710							7.5	13	

※1 Only set-sales ※2 No output the rotation pulse ※3 Prohibition of fully-closed use. ※4 Choose the cable length. Cable code: 241-70-705-01 / 02 / 03 (1m / 3m / 5m)

※5 Prohibited area: 20kPa or more, 1m³ / min or less. ※6 Prohibited area: 0.5m³ / min or less.

《 Features 》

- Compact/High-power/High-efficiency/Energy-saving
- Mounted with IEC61000_3_2-compliant harmonic-measurement power supply
- Overcurrent/Axial restraint/Abnormal temperature-rise protection (with automatic shut-off)

《 Usage 》

- Collation/Printing Machine ● Semiconductor equipment ● Suction/Dust collection Machine
- Conveyer/Packaging/Food Machine ● Plant air

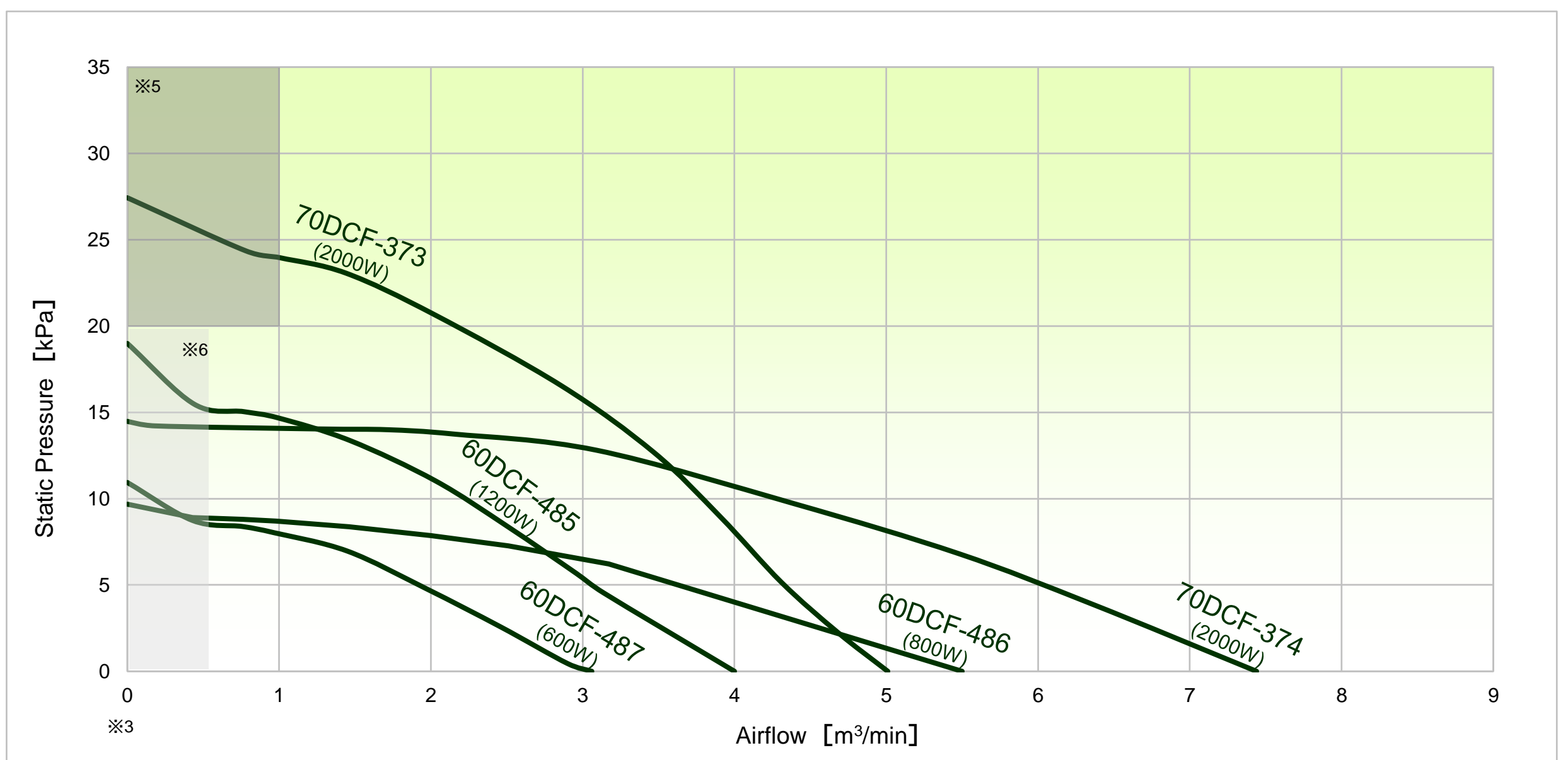
■ Blower Characteristics (Data is for reference and values are not guaranteed.)

■ Standard Specifications

Operating temp.	0 deg.C - +50 deg.C (no condensation)
Storage temp.	-20 deg.C - +65 deg.C
Insulation class	Class A
Insulation resistance	10M Ohm min. at 500 VDC
Dielectric strength	Blower/Driver : 1500 VAC for 1 min.
Safety standard	Blower : IEC/EN/UL62368-1※6 , UL507※6 , CSA-C22.2 No. 113 ※6 Driver : IEC/EN/UL62368-1※6 , UL61800-5-1※7 , UL508C ※8 , CSA-C22.2 No. 14※6

※6 60DCF, 70DCF ※7 60DCF ※8 70DCF

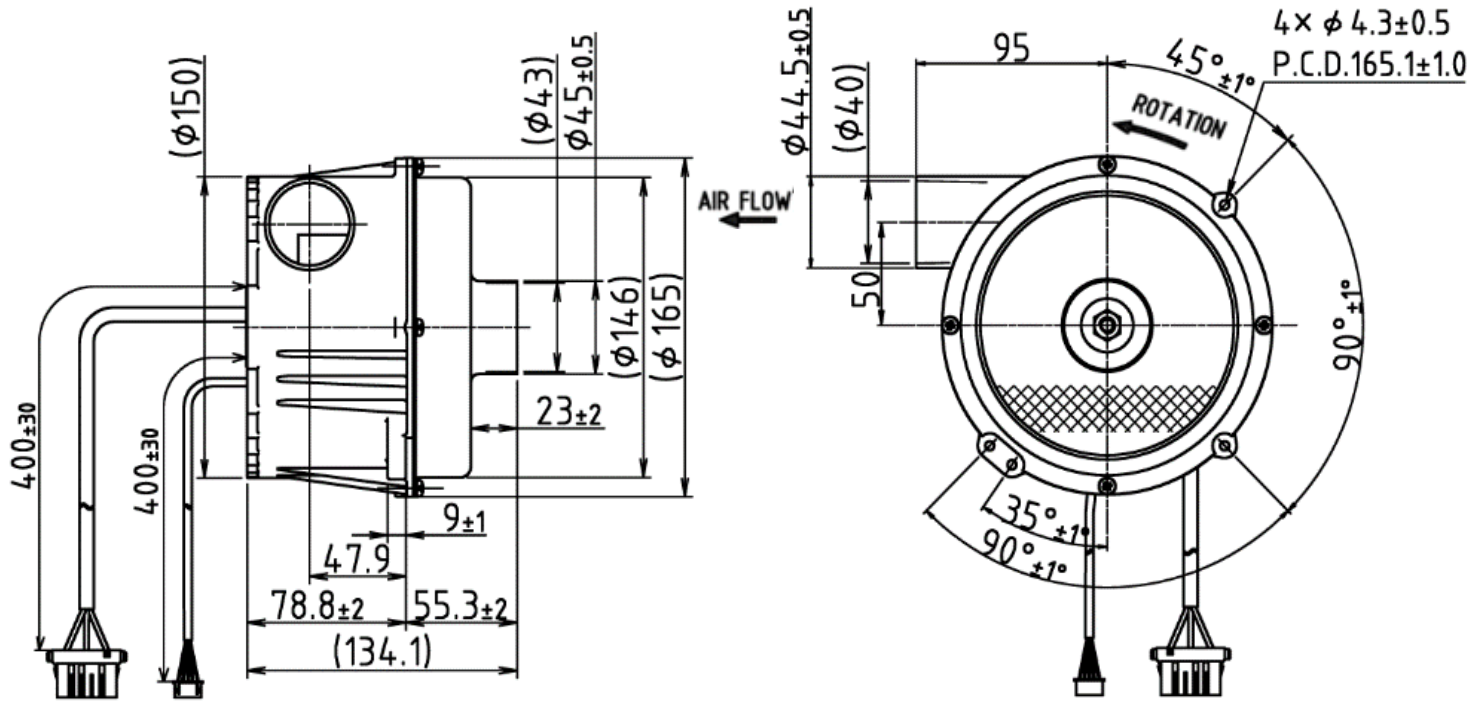
For TUV certification, please check the TÜV Rheinland certificate database or contact us.



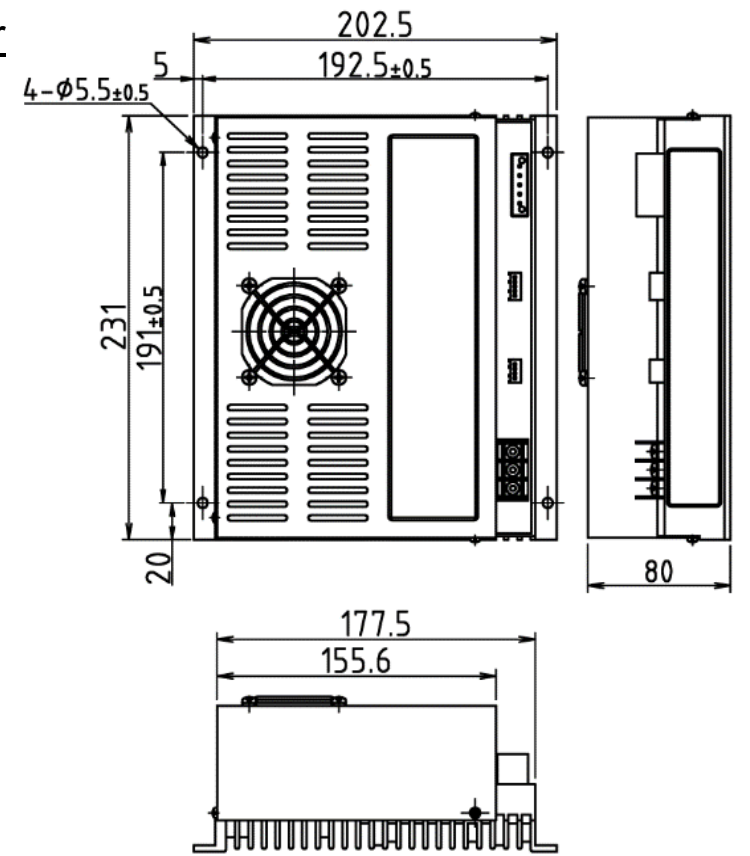
※3 Prohibition of fully-closed use. ※5 Prohibited area: 20kPa or more, 1m³ / min or less. (70DCF-373) ※6 Prohibited area: 0.5m³ / min or less. (70DCF-374)

■ 60DCF-485 / 60DCF-486 / 60DCF-487

Blower

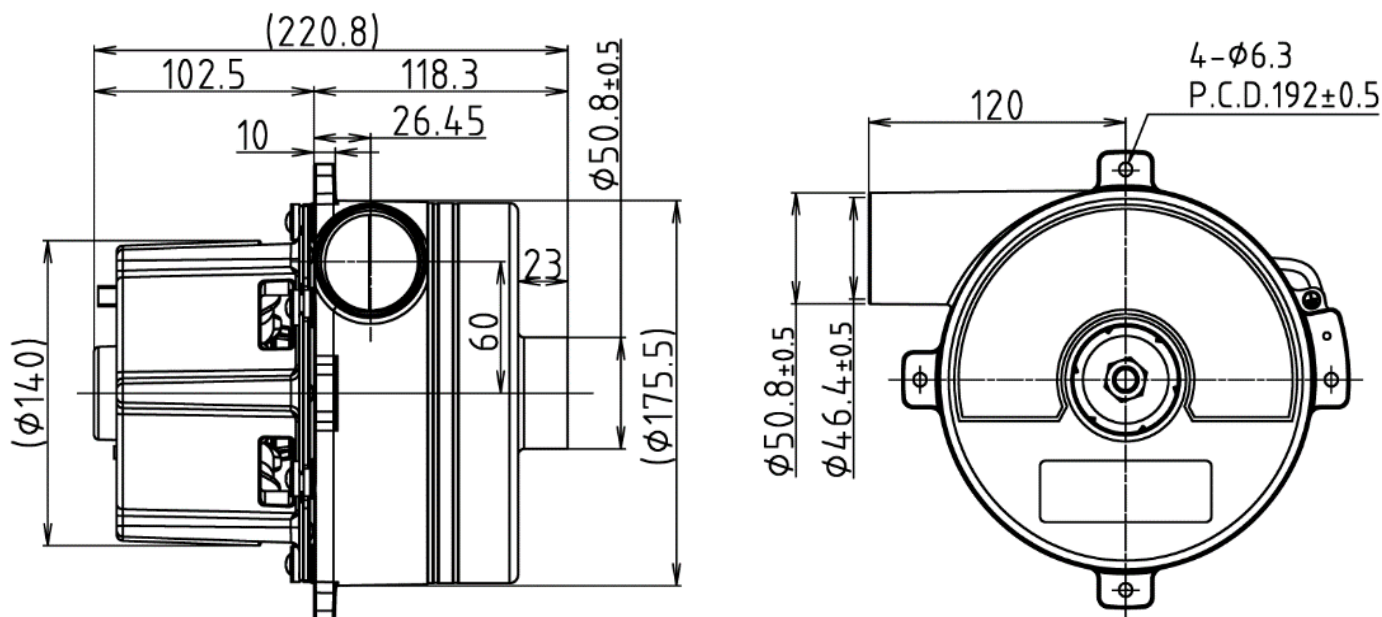


Driver

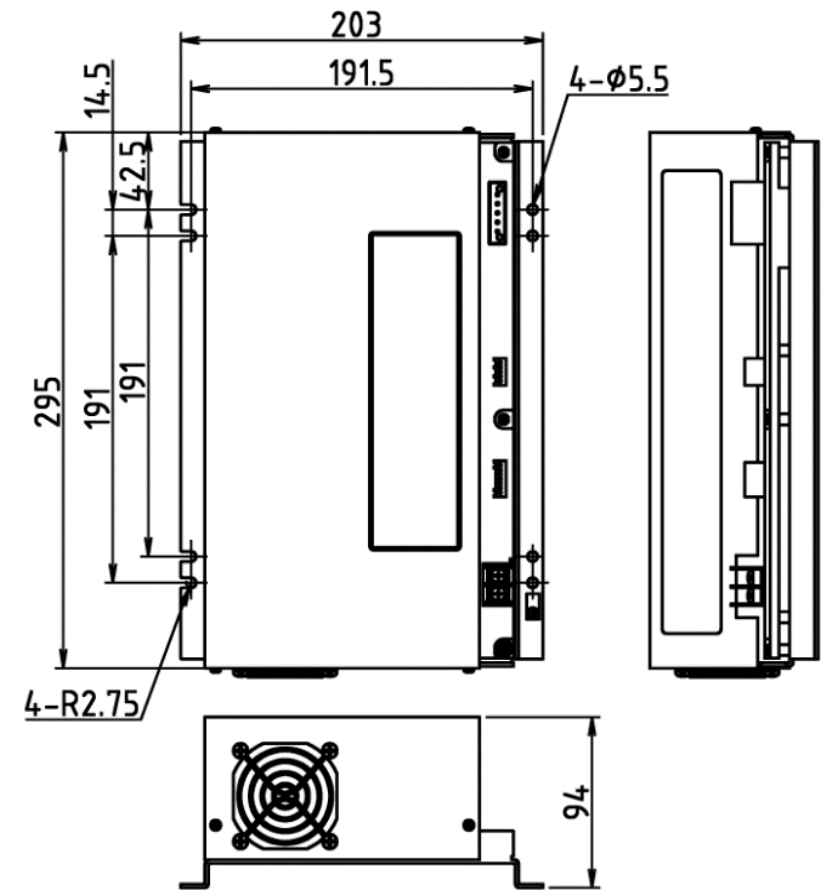


■ 70DCF-373 / 70DCF-374

Blower

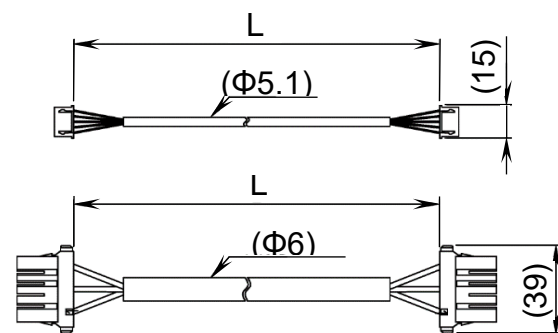


Driver

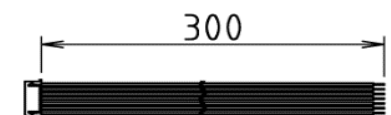


Extension Cables

Model	Length:L(m)
241-70-705-01	1
241-70-705-02	3
241-70-705-03	5



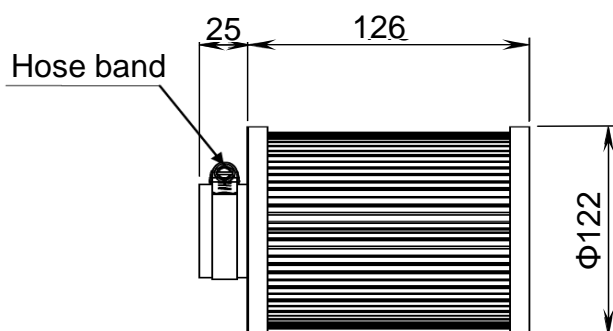
Signal Cable



■ Option

Prefilter

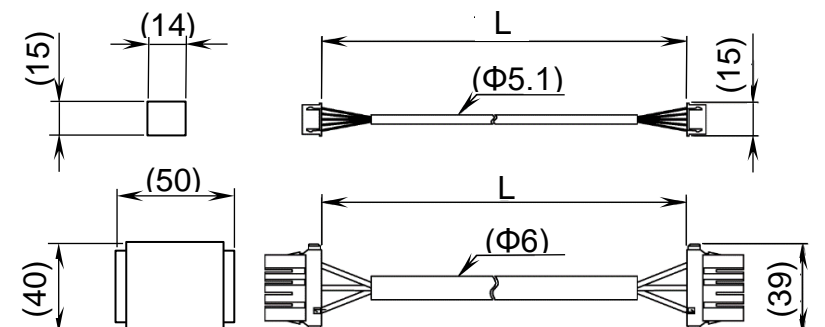
Series	Model
60DCF	781-60-727
70DCF	781-70-702



In 70DCF of 60DCF, the size of the diameter is different.

Extension Cables for 60DCF series

Model	Length:L(m)
241-60-725-01	1
241-60-725-02	3
241-60-725-03	5



MinebeaMitsumi Inc.

1-9-3, Higashi-shimbashi, Minato-ku, Tokyo, 105-0021 Japan
 Tel: +81-(0)3-6758-6711 (Tokyo Headquarters)
 Special Components Product Sales Management

For inquiries about our products, please contact your sales representative of MinebeaMitsumi or visit our website.

<https://product.minebeamitsumi.com>

Download Our Various Documents

● Agency