

Extension cables for Brushless Blower

241-60-725

Instruction Manual

manufacture and sales
MinebeaMitsumi Inc.
Special Device Business Unit
1-1-1 Katase, Fujisawa, Kanagawa, 251-8531 Japan

Contact Us
Special Components Product Sales Management
1-9-3, Higashi-shimbashi, Minato-ku, Tokyo, 105-0021 Japan
TEL +81-(0)3-6758-6711(Tokyo Headquarters)
<https://product.minebeamitsumi.com/en/contact/>

Extension cables for Brushless Blower 241-60-725 Instruction Manual

<Configuration>

| Part Number | Length (m) | Contents |
|---------------|------------|---|
| 241-60-725-01 | 1 | Connector (Sensor) |
| 241-60-725-02 | 3 | Connector (Motor) |
| 241-60-725-03 | 5 | Extension cable (Sensor) Extension cable (Motor) |

<Safety Precautions>

- Thank you for adopting a MinebeaMitsumi product.
- For proper use, please carefully read this Instruction Manual and other supporting documents before usage (installation, operation, maintenance, inspection).
- Do not use until all technical/safety information and reminders are fully understood.
- Keep the Instruction Manual in an accessible place for ready reference and also make sure that it is delivered to end customers.

General notes

- This product was developed for use in industrial equipment. Do not use for equipment in areas which require a high degree of reliability and safety such as aerospace equipment, trunk-line communication equipment, nuclear control equipment, life support machines, automobiles, traffic signals, medical devices, and so forth.
- MinebeaMitsumi will take no responsibility for failures which arise from false or inappropriate use of the product, such as not complying with product usage conditions and precautions depicted in the specifications (drawings) and instruction manual. Please request a reference drawing or delivery specifications to confirm.
- Due to performance upgrades and production reasons, the product specifications, exterior, and configurations described in these specifications are subject to change without prior notice.
- Do not use it in outdoor.

- In this < Safety Precaution >, the safety precaution levels are classified as "WARNING" and "CAUTION."



WARNING Indicates a potential situation that could result in death or serious injury to user if device is operated improperly.



CAUTION Indicates a potential situation that could result in injury to user or physical damage if device is operated improperly.

1. Precautions against electrical shock

- Do not modify or disassemble this product. Doing so may cause electrical shock.
- Before conducting wiring operations and inspection, confirm that no voltage is present at the driver terminal using a tester or the like 10 minutes after the power supply is turned OFF.

W

A

R

N

I

N

G

- Wiring work and inspection should be performed by a professional engineer (a Second Class Electrician or higher is recommended).
- In order to prevent electric shock and injury, conduct wiring after the main body is set in place.
- In order to prevent electric shock, avoid touching the Cables and Connector with wet hands.
- In order to prevent electric shock, do not damage, forcibly pull, place heavy objects on, or pinch the cables.
- In order to prevent electric shock, do not connect or disconnect the connectors while AC power is being supplied (during Operation and Stand-by).

2. Miscellaneous Precautions

Please pay adequate attention to the following precautions. Improper handling may cause unexpected accident, electrical shock, or injury.



C
A
U
T
I
O
N

(1) About transportation and mounting

- Installation should be made on a structure that can withstand the product weight and vibration.
- Do not hold connector of cable during active operation. Doing so may result in damage.
- Do not step on or place objects on the product.
- Do not drop or apply unreasonable force on the Connector and Cable.
- Prevent conductive objects such as screws and metal pieces and flammable objects such as oil as well as other foreign objects from entering the inside of the Connector.
- Make sure connector is pushed all the way down.
- When connecting or disconnecting the connector, please be sure to have the connector. Moreover, please do not apply force other than the direction which puts or extracts a connector.
- Please use the relay connector by the attachment method of not being subject to the influence of vibration from apparatus.
- Please do not apply stress to the Extension connector.
- Please do not use it for a flexible region.
- Please do not wind or fold the cable of the part which remained.
- Please do not use it, adding a extension cable.
- Please protect a connector area, in using it at a place with much dust, etc.
- Please use under the environmental conditions given below. Usage under other environmental conditions may lead to malfunction.

Ambient Temperature: 0°C to +50°C (no freezing)

Ambient Humidity: 90 % RH or less (no condensation)

Storage Temperature: -20°C to +65°C

Other conditions: To be used indoors. No corrosive gases, flammable gases, oil mist, powder, dust., or salt corrosion.

Altitude above sea level: 1000 m or lower

Vibration: Do not expose to continuous vibration or excessive shock.

(2) About usage

- Reduce the effects of electromagnetic disturbance by placing a noise filter near the Blower.
- Please separate a signal cable and the sensor cable more than 200mm from the instruction load such as electromagnetic relays. These cables must not wire to parallel with a power cable and motor cable. In addition, these cables should wire to intersect perpendicularly with a power cable and motor cable.

(3) About Maintenance and Inspection

- Check for damage on the cable and connector at the time of maintenance of Blower.

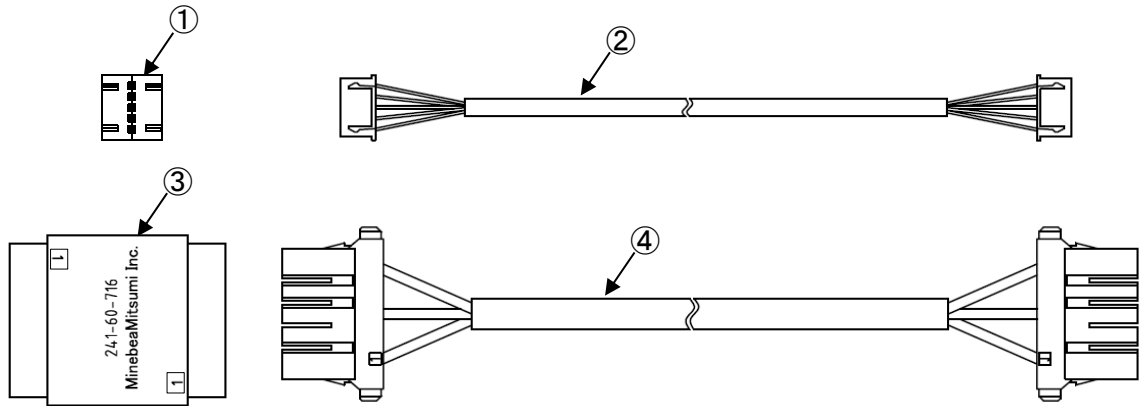
(4) About disposal

- Please treat as general industrial waste.

(5) Operating Precautions

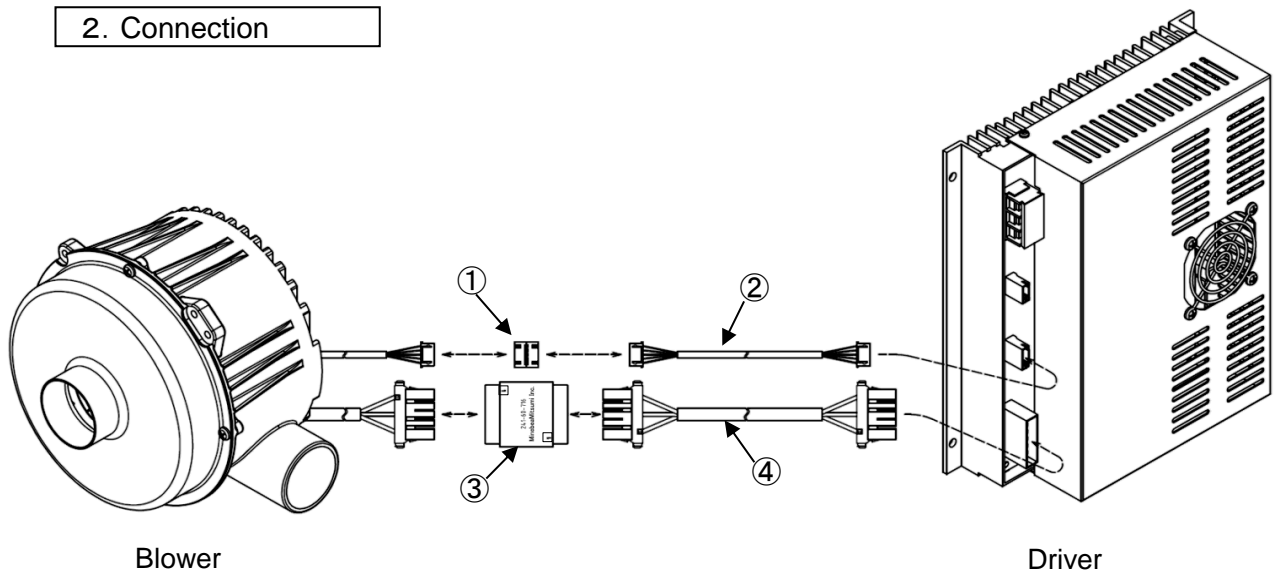
- If an unusual noise or smell is noticed, immediately terminate the AC power supply and control input signal, stop usage, and then contact the distributor.

1. Part names



- ① Connector (Sensor)
- ② Extension cable (Sensor)
- ③ Connector (Motor)
- ④ Extension cable (Motor)

2. Connection



Blower

Driver

- Refer to the applicable product manual.
- Make sure connector is pushed all the way down.
- The direction of the connector and the cable can be connected to both Blower side and Driver side.

3. Others

- Please do not carry Blower and Driver while connecting each other.
- Please note that product can be subjected to change without notice.
- For inquiries about our products, please contact us from the web page at the following URL or through the purchase route.
<https://product.minebeamitsumi.com/en/contact/>
- You can download this document from our product site below.
https://product.minebeamitsumi.com/en/product/category/fanmotor/highpressure_blower/



4. Specification

241-60-725-01

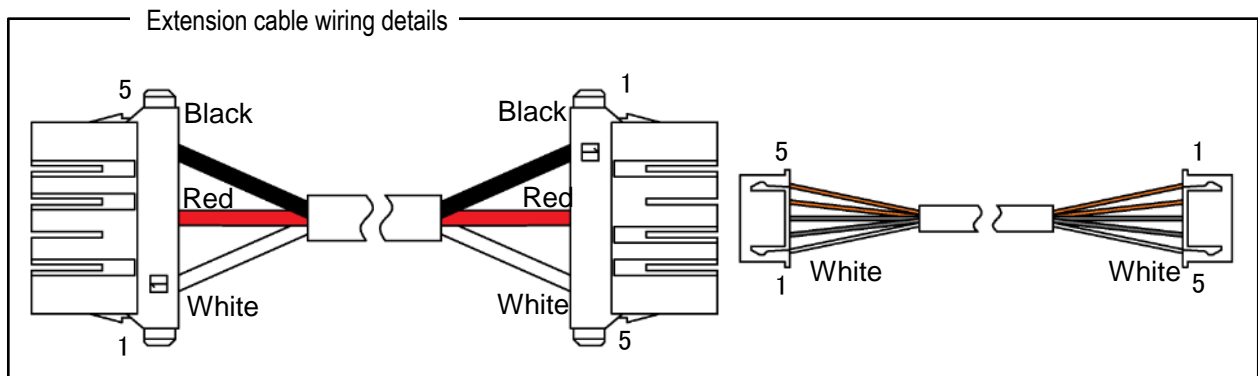
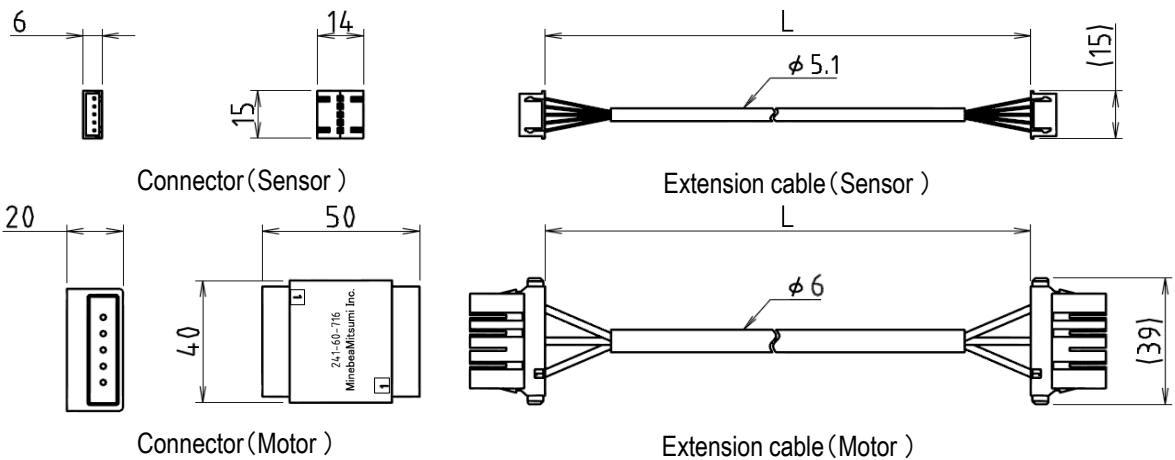
| Name | Length L (m) | Quantity |
|--------------------------|--------------|----------|
| Connector (Sensor) | - | 1 |
| Extension cable (Sensor) | 1 | 1 |
| Connector (Motor) | - | 1 |
| Extension cable (Motor) | 1 | 1 |

241-60-725-02

| Name | Length L (m) | Quantity |
|--------------------------|--------------|----------|
| Connector (Sensor) | - | 1 |
| Extension cable (Sensor) | 3 | 1 |
| Connector (Motor) | - | 1 |
| Extension cable (Motor) | 3 | 1 |

241-60-725-03

| Name | Length L (m) | Quantity |
|--------------------------|--------------|----------|
| Connector (Sensor) | - | 1 |
| Extension cable (Sensor) | 5 | 1 |
| Connector (Motor) | - | 1 |
| Extension cable (Motor) | 5 | 1 |



- The connector wiring at both ends is different, but the Extension cable can be used on either Blower side or Driver side.