

# Pre-filter for Brushless Blower

781-70-702

## Instruction Manual

manufacture and sales  
**MinebeaMitsumi Inc.**  
Special Device Business Unit  
1-1-1 Katase, Fujisawa, Kanagawa, 251-8531 Japan

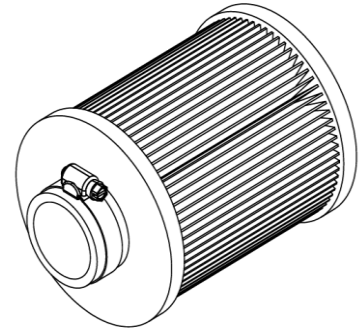
Contact Us  
Special Components Product Sales Management  
1-9-3, Higashi-shimbashi, Minato-ku, Tokyo, 105-0021 Japan  
TEL +81-(0)3-6758-6711(Tokyo Headquarters)  
<https://product.minebeamitsumi.com/en/contact/>

Pre-filter for Brushless Blower 781-70-702 Instruction Manual

**< Configuration >**

A bundled items

Pre-filter	...	1
Hose band	...	1
Instruction Manual	...	1

**< Safety Precautions >**

- Thank you for adopting a MinebeaMitsumi product.
- For proper use, please carefully read this Instruction Manual and other supporting documents before usage (installation, operation, maintenance, inspection).
- Do not use until all technical/safety information and reminders are fully understood.
- Keep the Instruction Manual in an accessible place for ready reference and also make sure that it is delivered to end customers.

**General notes**

- This product was developed for use in industrial equipment. Do not use for equipment in areas which require a high degree of reliability and safety such as aerospace equipment, trunk-line communication equipment, nuclear control equipment, life support machines, automobiles, traffic signals, medical devices, and so forth.
- MinebeaMitsumi will take no responsibility for failures which arise from false or inappropriate use of the product, such as not complying with product usage conditions and precautions depicted in the specifications (drawings) and instruction manual. Please request a reference drawing or delivery specifications to confirm.
- Due to performance upgrades and production reasons, the product specifications, exterior, and configurations described in these specifications are subject to change without prior notice.
- Do not use it in outdoor.

- In this < Safety Precaution >, the safety precaution levels are classified as "WARNING" and "CAUTION."



**WARNING** Indicates a potential situation that could result in death or serious injury to user if device is operated improperly.



**CAUTION** Indicates a potential situation that could result in injury to user or physical damage if device is operated improperly.

**1. Precautions against electrical shock**

- Before conducting wiring operations and inspection, confirm that no voltage is supplied at the driver terminals by using a tester after turning off the power and passing more than 10 minutes.
- In order to prevent electric shock, avoid touching the Cables and Connector with wet hands.

## 2. Miscellaneous Precautions

Please pay adequate attention to the following precautions. Improper handling may cause unexpected accident, electrical shock, or injury.



C  
A  
U  
T  
I  
O  
N

### (1) About transportation and mounting

- Do not step on or place objects on the product.
- Do not drop or apply unreasonable force on the Pre-filter.
- Please use under the environmental conditions given below. Usage under other environmental conditions may lead to malfunction.
  - Ambient Temperature: 0°C to +50°C (no frost)
  - Ambient Humidity: 90 % RH or less (no condensation)
  - Storage Temperature: -20°C to +65°C
  - Other conditions: To be used indoors. No corrosive gases, flammable gases, oil mist, powder, or dust. Do not put in places which are exposed to direct sunlight.
  - Altitude above sea level: 1000 m or lower
  - Vibration: 5.9m/s<sup>2</sup> or less (JISC0911 compliant)
- To prevent fire, please do not make the blower absorb absolutely explosive gases, organic solvents, fire.
- Do not install it in the place becoming the explosive atmosphere.
- Do not modify or disassemble this product.

### (2) About Maintenance and Inspection

- The blower will reach a high temperature for a while after stopping.
  - Checking should be done after turning off power and cooling down.
- Don't put hands or objects in the blower during rotation of the fan, because there is risk of injury.
- Please periodically perform the inspection and cleaning. The clogging will cause reduction of the air flow, temperature rise of the blower, and Increase of power consumption.
- In the case of slight clog and dirt, blow off the dust on the surface of the filter, or vacuum it.
  - Please do not apply excessive power to the filter during cleaning, otherwise the filter will be damaged.
- Please replace the filter when it is very dirty or there is no recovery from clogging after cleaning.
- Please determine the replacement frequency of the filter according to the environment of usage.

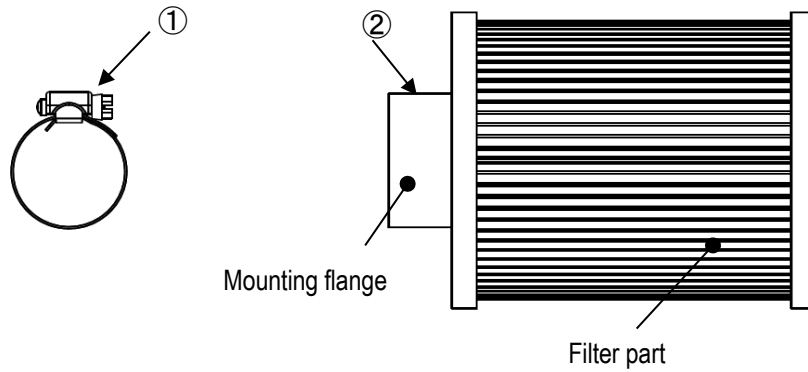
### (3) About disposal

- Please treat as general industrial waste.

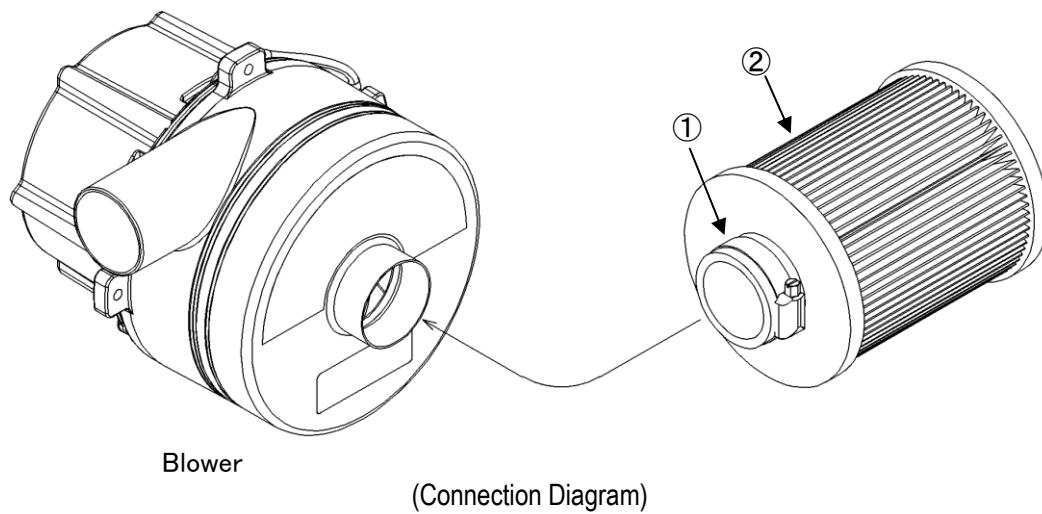
### (4) Operating Precautions

- If an unusual noise or smell is noticed, immediately terminate the AC power supply and control input signal, stop usage, and then contact the distributor.

### 1. Part names



### 2. Connection



- This product is used only for the high pressure blower 70DCF series.
- Please do not attached to the outlet, because this product is designed as a Pre-Filter.
- Please tighten the attached hose band with a torque 1 N-m or less, otherwise Mounting flange will be damaged.
- Please do not apply excessive stress to the Filter part.
- Please attach the filter after installing the blower.
- Please read this manual with the instruction manual of the blower.

### 3. Others

- Please note that product can be subjected to change without notice.
- For inquiries about our products, please contact us from the web page at the following URL or through the purchase route.  
<https://product.minebeamitsumi.com/en/contact/>
- You can download this document from our product site below.  
[https://product.minebeamitsumi.com/en/product/category/fanmotor/highpressure\\_blower/](https://product.minebeamitsumi.com/en/product/category/fanmotor/highpressure_blower/)



**4. Specification**

## •Performance

<b>Initial Pressure Drop</b>	kPa	1 or less
<b>Flow Rate</b>	m <sup>3</sup> /min	6
<b>Efficiency</b>	%	80 or more (5 microns)

## •Dimensions (mm)

