

GPA-CS659

2023/12/06

Features



1. IPX6 waterproof compatible.
2. No need for a ground board, can be attached to the pole tip with just one screw.
3. Antenna size: $\Phi 93.5\text{mm} \times 40.2\text{mm}$ (H).
4. Uses a waterproof SMA jack connector type.
5. The cable is available as an option.

Power Supply Voltage

3.3V

Specifications

Specifications	CLAS Min	CLAS Typ	CLAS Max	RTK Min	RTK Typ	RTK Max
Antenna Reception Frequency L1 Band [MHz]	1561.1		1605.4	1559.1		1605.9
Antenna Reception Frequency L2 Band [MHz]	1227.6		1248.6	1196.9		1249.1
Antenna Reception Frequency L3 Band		1278±10.23				

GPA-CS659

2023/12/06

[MHz]						
Antenna Reception Polarization	RHCP	RHCP	RHCP	Right Hand Circular Polarization	Right Hand Circular Polarization	Right Hand Circular Polarization
Antenna Gain L1 Band	2.0 dBi(EL0°)	2.0 dBi(EL0°)	2.0 dBi(EL0°)	3.0 dBic(1575.42MHz EL90°)	3.0 dBic(1575.42MHz EL90°)	3.0 dBic(1575.42MHz EL90°)
Antenna Gain L2 Band	2.0 dBi(EL0°)	2.0 dBi(EL0°)	2.0 dBi(EL0°)	2.0 dBic(1227.6MHz EL90°)	2.0 dBic(1227.6MHz EL90°)	2.0 dBic(1227.6MHz EL90°)
Antenna Gain L6 Band	2.0 dBi(EL0°)	2.0 dBi(EL0°)	2.0 dBi(EL0°)			
Antenna Output Impedance [Ω]		50			50	
LNA Reception Frequency L1 Band [MHz]	1561.1		1605.4	1559.1		1605.9
LNA Reception Frequency L2 Band [MHz]	1227.6		1248.6	1196.9		1249.1
LNA Reception Frequency L6 Band [MHz]		1278±1.023				
LNA Noise Factor Reception frequency [dB]		2.3	3.0			2.5
LNA Gain L1 Band [dB]	20.0	24.0	28.0	27.0	30.0	33.0
LNA Gain L2 Band [dB]	20.0	24.0	28.0	30.0	33.0	36.0
LNA Gain L6 Band [dB]	20.0	24.0	28.0			
LNA Output VSWR						2
LNA Current Consumption [mA]					35.0	70.0
Overall Gain						

GPA-CS659

2023/12/06

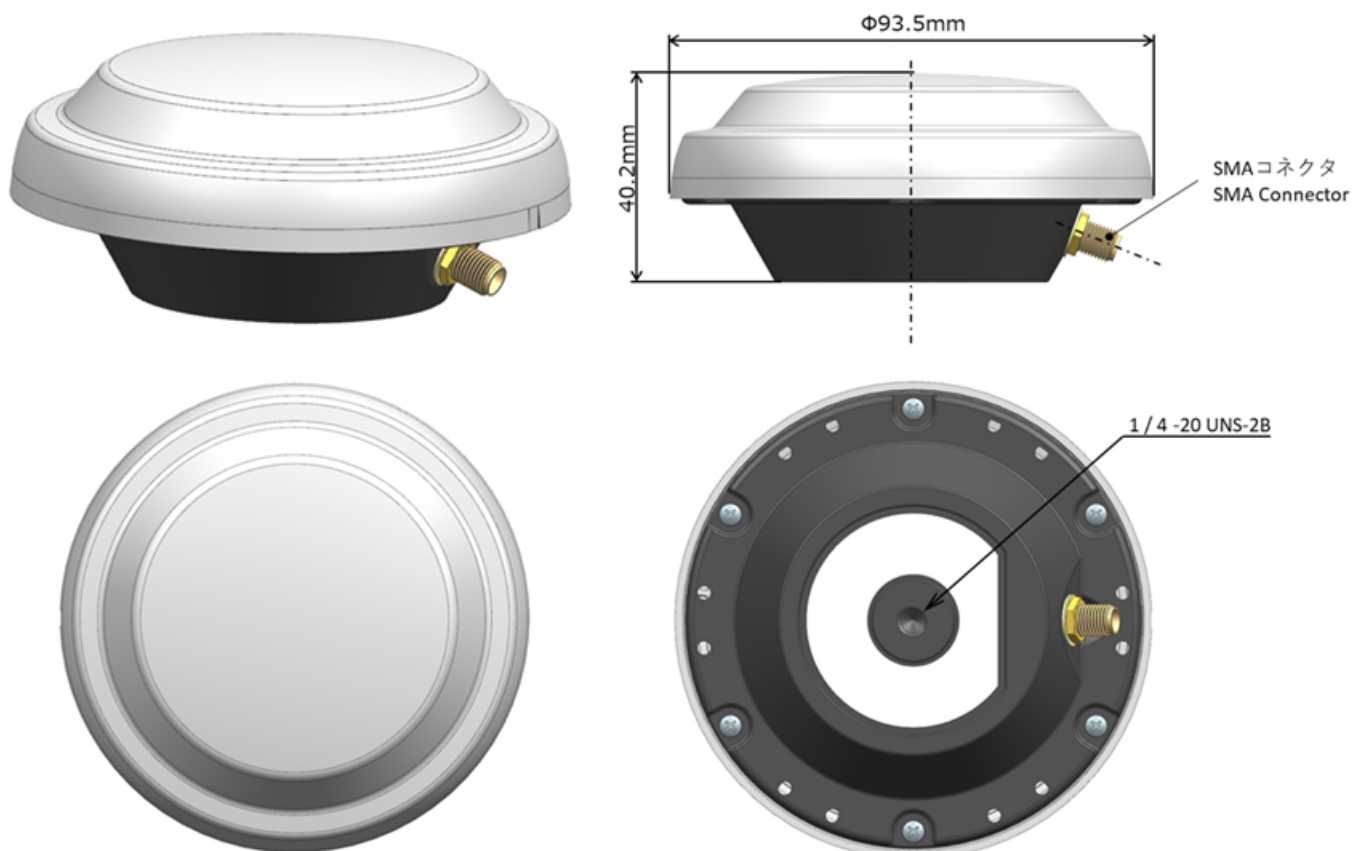
Overall Gain [dBi]	21.0	25.0	29.0	21.0	25.0	29.0
Current Consumption [mA]	29	36	43	29	36	43

*Condition: On a 90mm x 90mm ground board.

Minimum Order

500pcs/year

Overall View



Unit:mm