

## GPA-GS250

2023/03/22

## Features



1. Utilizes Mitsumi standard case.
2. Miniature size 34.4(W) x 34.4(D) x 11.5(H) mm
3. Small antenna element 25(W) x 25(D) x 4(H) mm
4. Cable length and connector can be customized.
5. Various optional extras (mounting fixtures, spongers, and clips, etc.) are available to satisfy your needs.

## Specifications

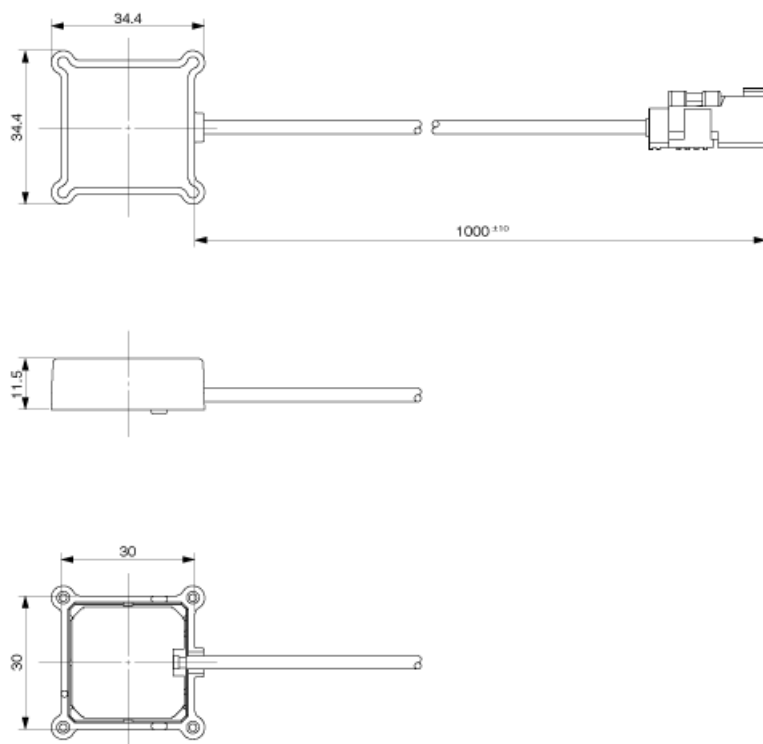
Antenna Reception Frequency	1559.0~1605.375MHz
Antenna Reception Polarization	Right Hand Circular Polarization
Antenna Antenna Gain	0dBi typ. *1
Antenna Output Impedance	50Ω
LNA Reception Frequency	1559.0~1605.375MHz
LNA Noise Figure	1.2dB max.
LNA Gain	26dB typ.
LNA Ex-band Attenuation	18dB min. (fo±50MHz)
Overall Gain	26dBi typ. (Zenith) *1
Overall Power Supply Voltage	5.0V
Overall Current Consumption	22mA typ. 30mA max.
Minimum Order	30,000pcs/year

## GPA-GS250

2023/03/22

\*1 Gain is for the standard cable length of 1m and grounding plate measuring 60×60mm.

## Overall View



Unit:mm

## NOTE

\*Any products mentioned in this catalog are subject to any modification in their appearance and others for improvements without prior notification.

\*The details listed here are not a guarantee of the individual products at the time of ordering. When using the products, you will be asked to check their specifications.