

MM1837

2023/07/20

Outline

This IC comes with dual operational amplifiers and shunt regulator (2.5V) function.
It can be used for controlling the secondary side of AC adaptor.
It can also be used in a part of application circuit of our IC MM3460 for LED light.

Applications

1. Li-ion battery charger
2. AC adaptor
3. Reference voltage source

Features

Op-amp unit

1. Input offset voltage Typ.0.2mV, Max0.9mV
2. Input bias current 30nA
3. Power supply current 0.6mA
4. Voltage gain 100dB
5. Common-mode signal rejection ratio 85dB
6. Power supply voltage rejection ratio 100dB
7. Output outflow current 35mA
8. Output inflow current 20mA

Shunt regulator unit

1. Reference voltage 2.5V
2. Minimum cathode current 0.4mA
3. Dynamic impedance 0.4Ω

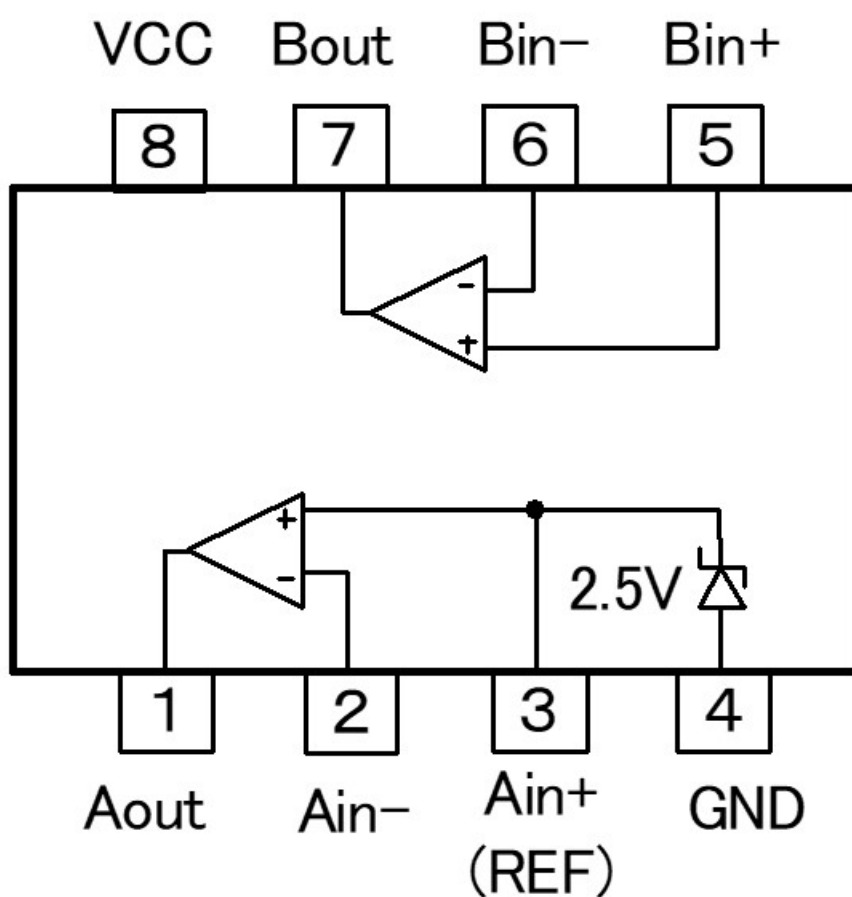
仕様

MM1837

2023/07/20

Power supply voltage lower limit [V]	Power supply voltage upper limit [V]	Input voltage range lower limit [V]	Input voltage range upper limit [V]	Input offset voltage Typ. [mV]	Gain Typ. [dB]
2.0	20.0	0.0	VCC-1.0	±0.2	100

Block Diagram



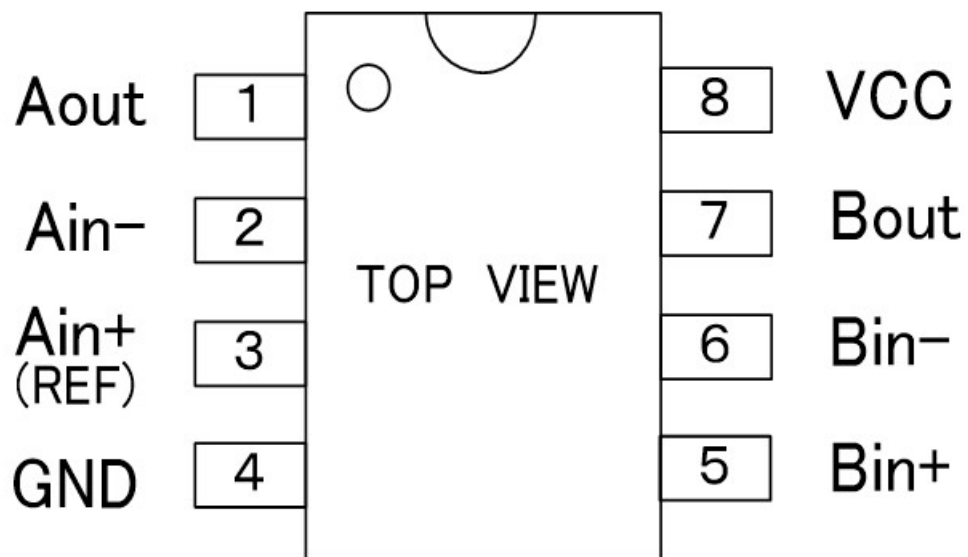
Package Image

ミネバアミツミ株式会社

Copyright©MinebeaMitsumi Inc. All right reserved.

MM1837

2023/07/20



Package

SOP-8C